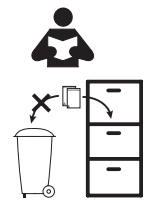
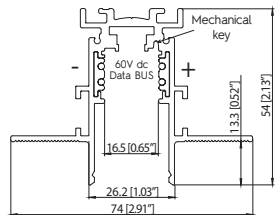
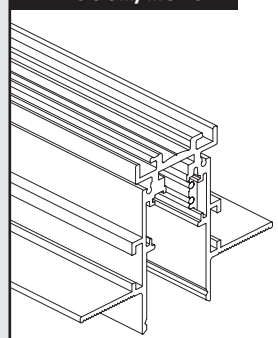
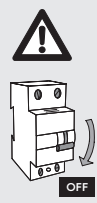


MULTISYSTEM evo

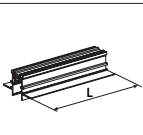


ST5-E

1 - 9500-.../...ST5-E

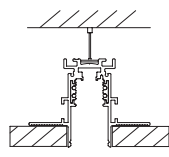


CODE	L mm [ft]
9500-1/...-ST5-E	1000 [3.28']
9500-2/...-ST5-E	2000 [3.28']
9500-3/...-ST5-E	3000 [3.28']



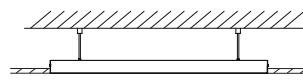
2 - USE

Trimless

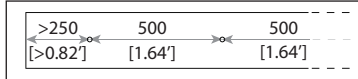
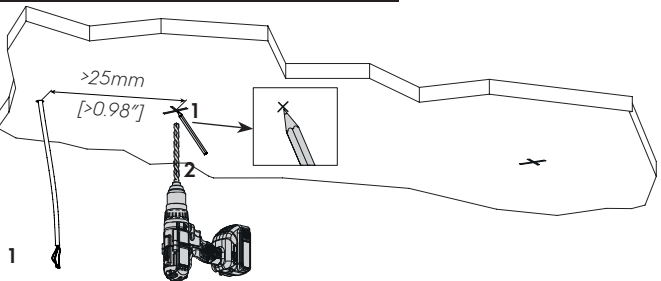


wall

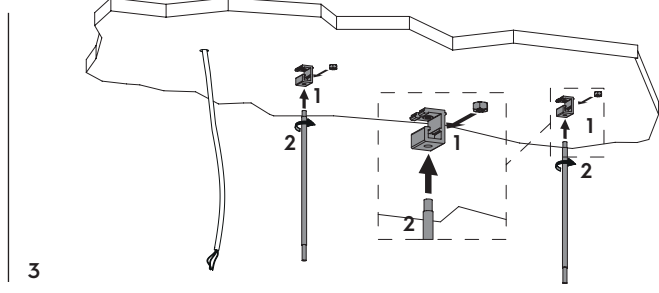
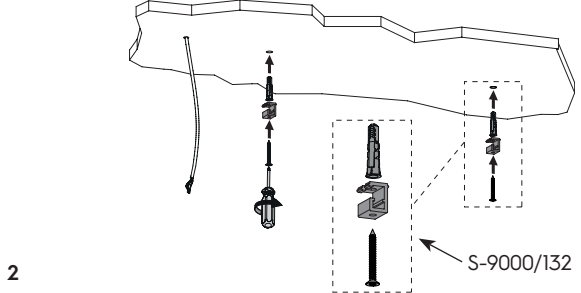
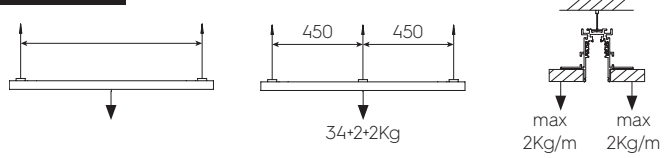
ceiling



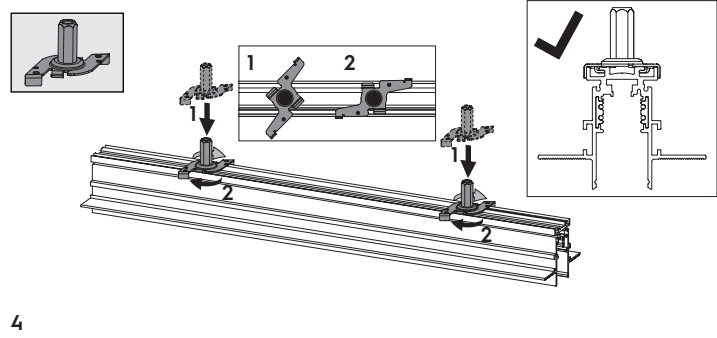
3 - TRIMLESS FIXING



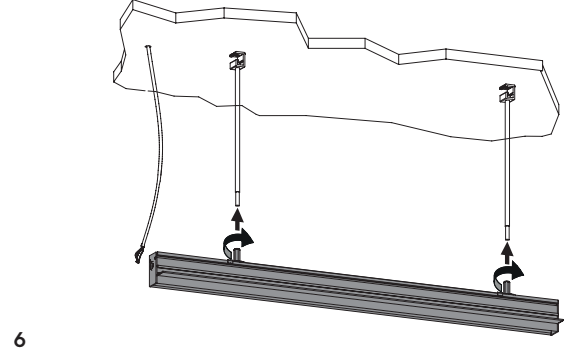
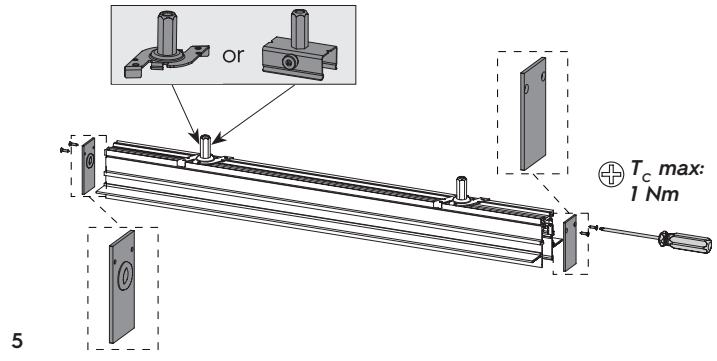
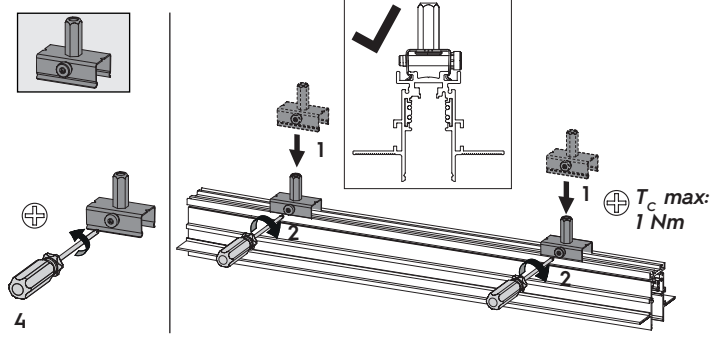
MAX LOAD

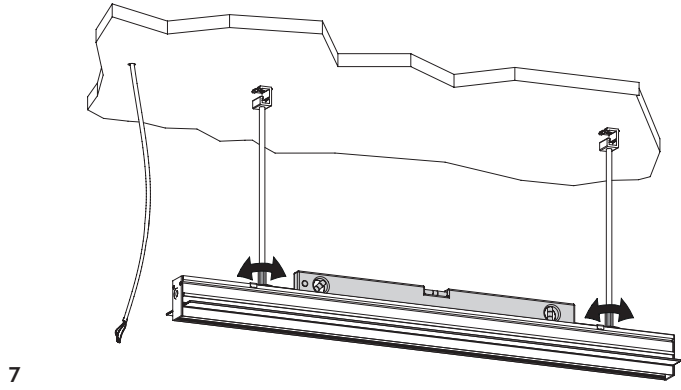


3a with S-9000/118...

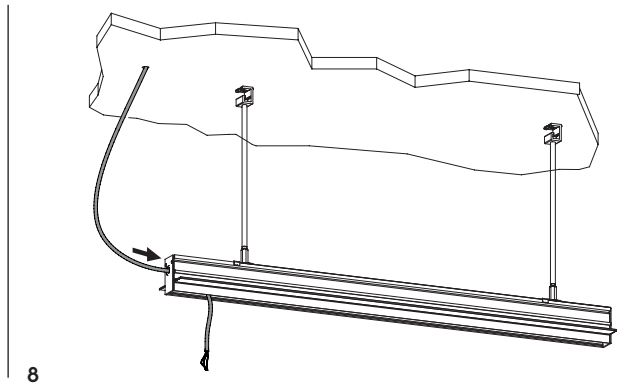


3b with S-9000-P2/117

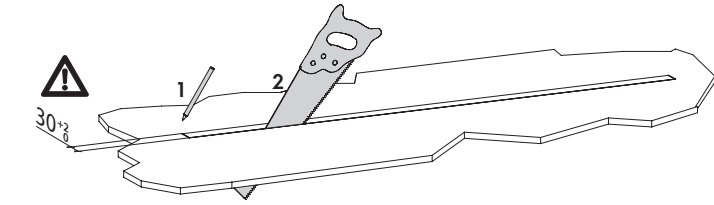




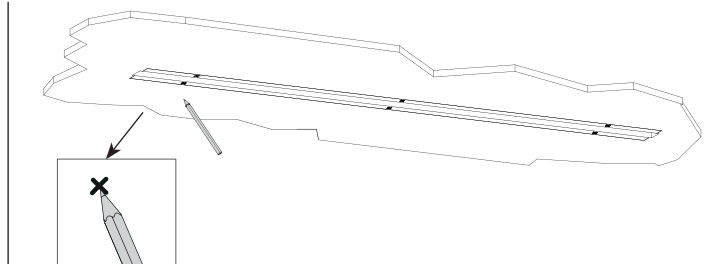
7



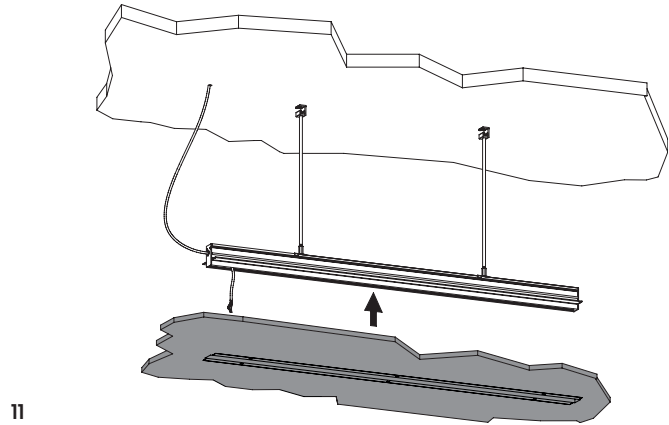
8



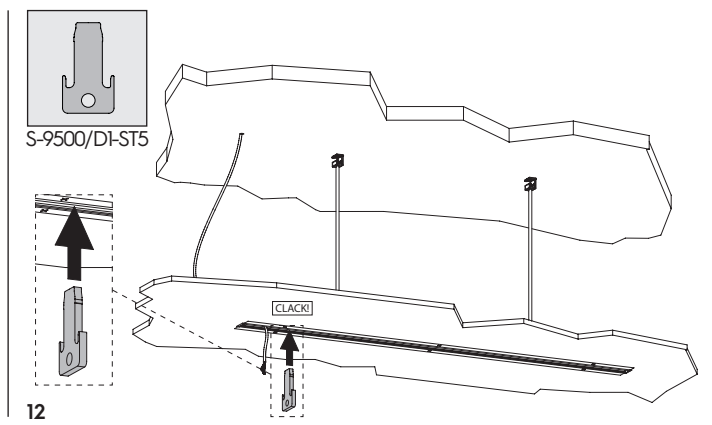
9



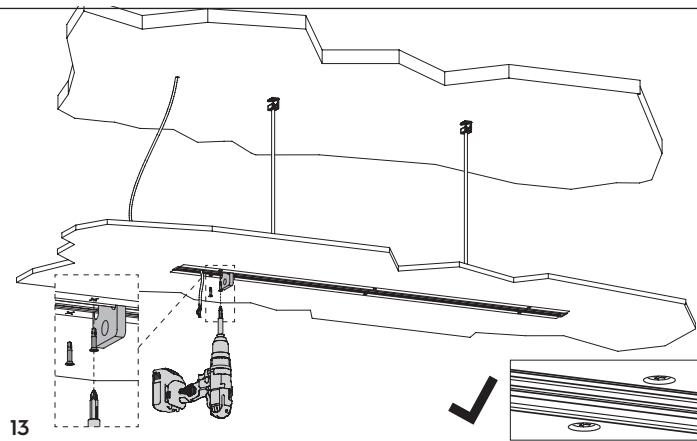
10



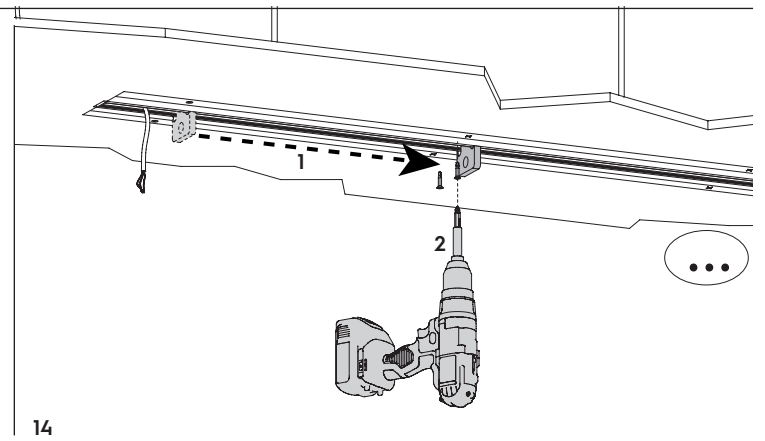
11



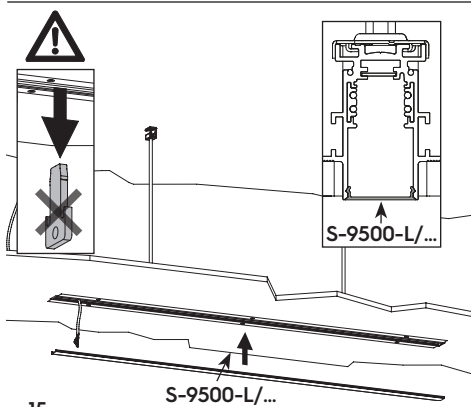
12



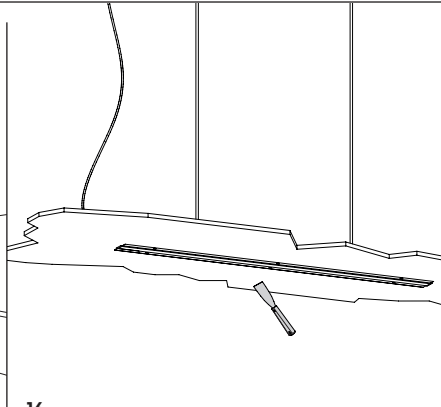
13



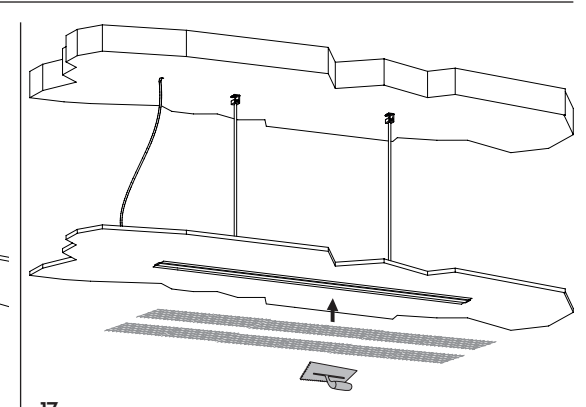
14



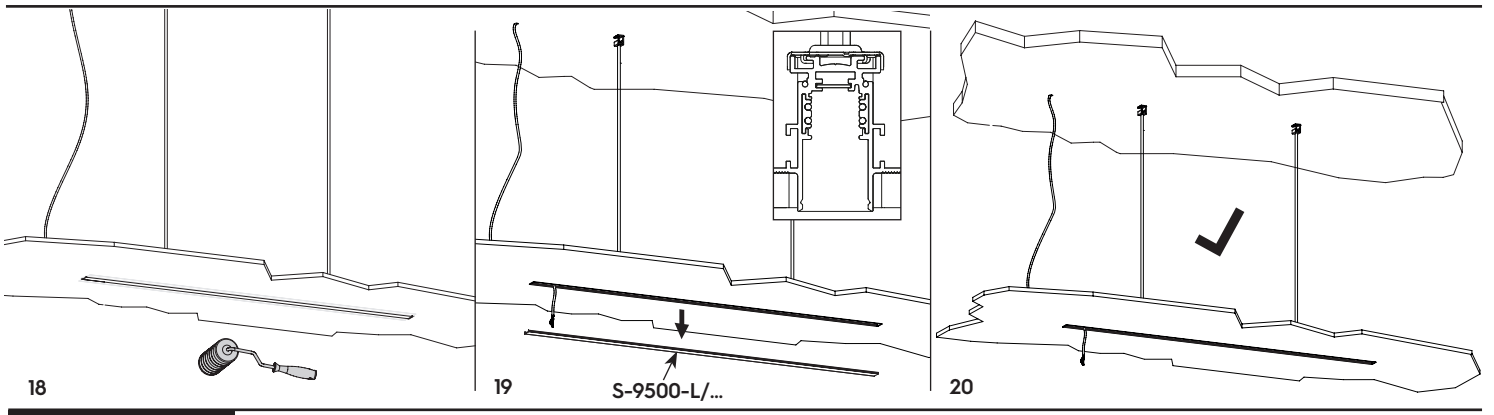
15



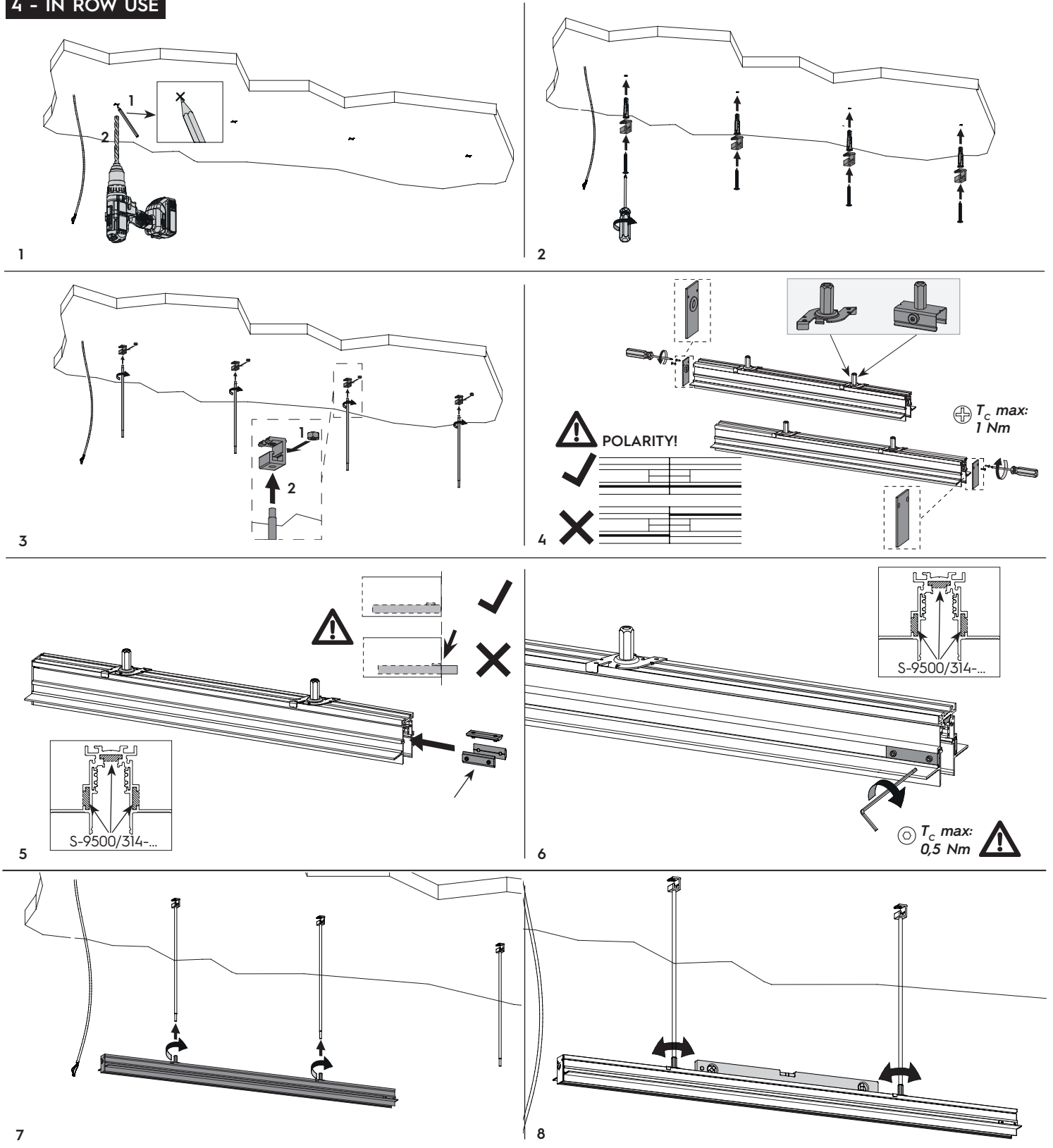
16

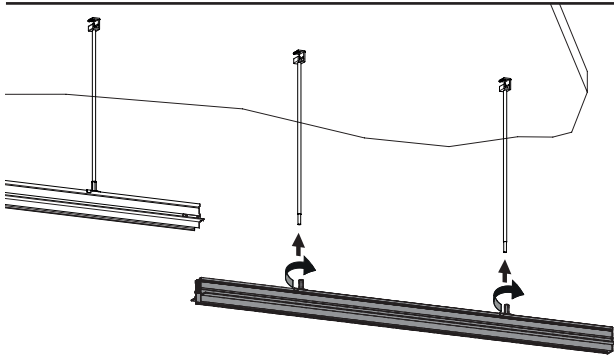


17

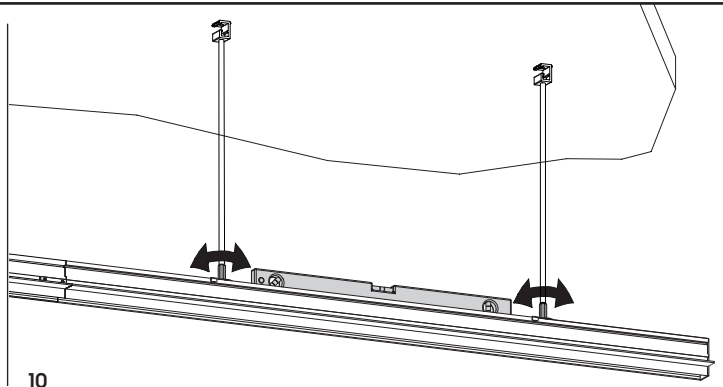


4 - IN ROW USE

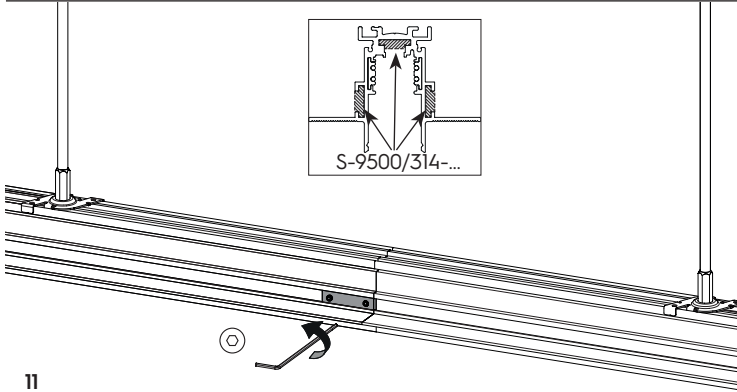




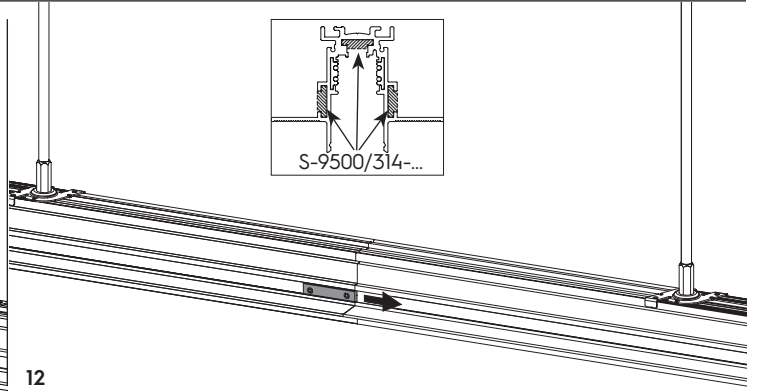
9



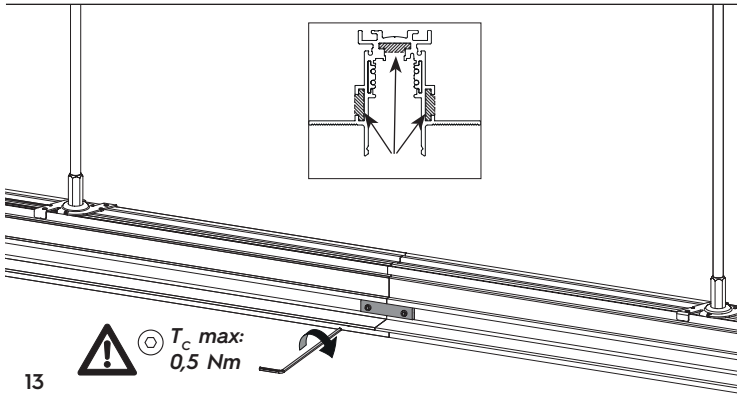
10



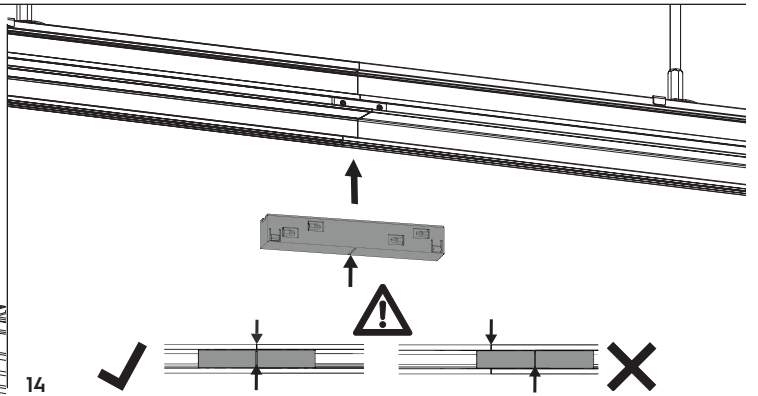
11



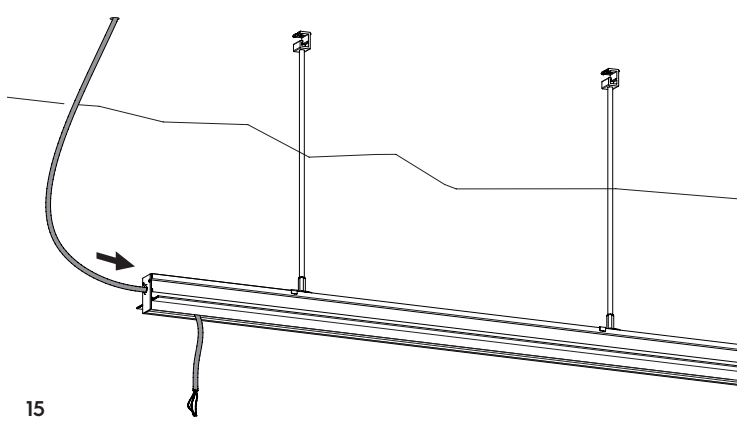
12



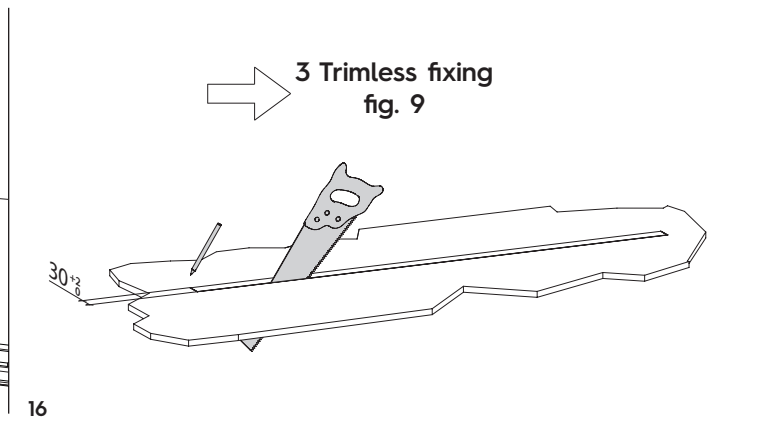
13



14

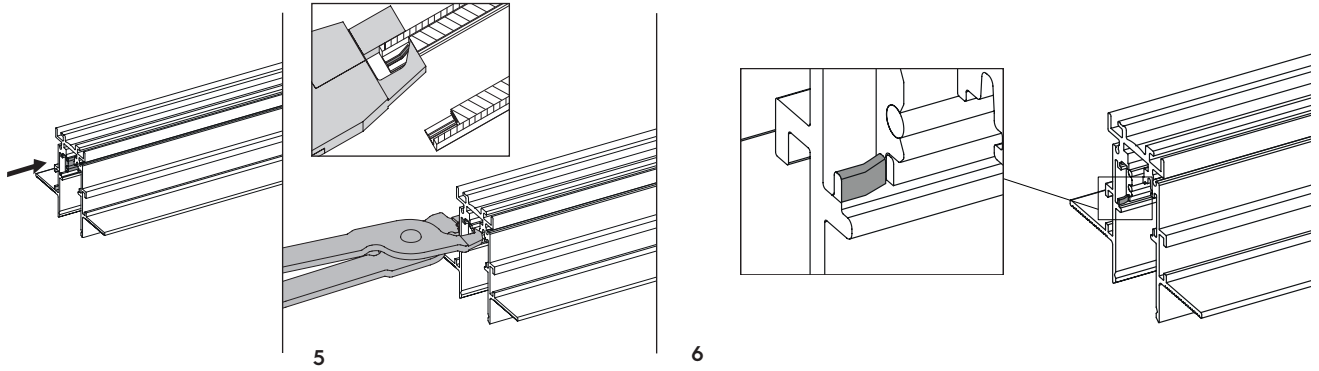
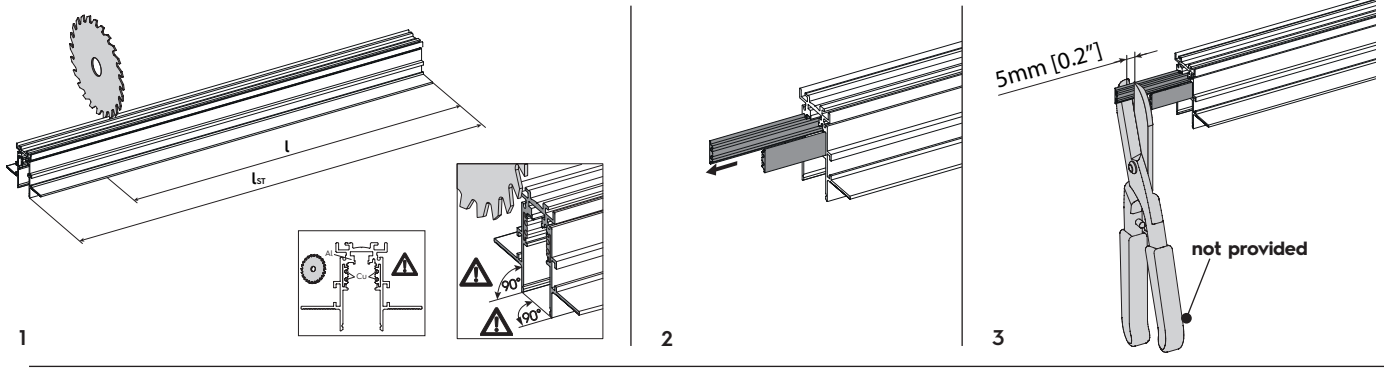


15

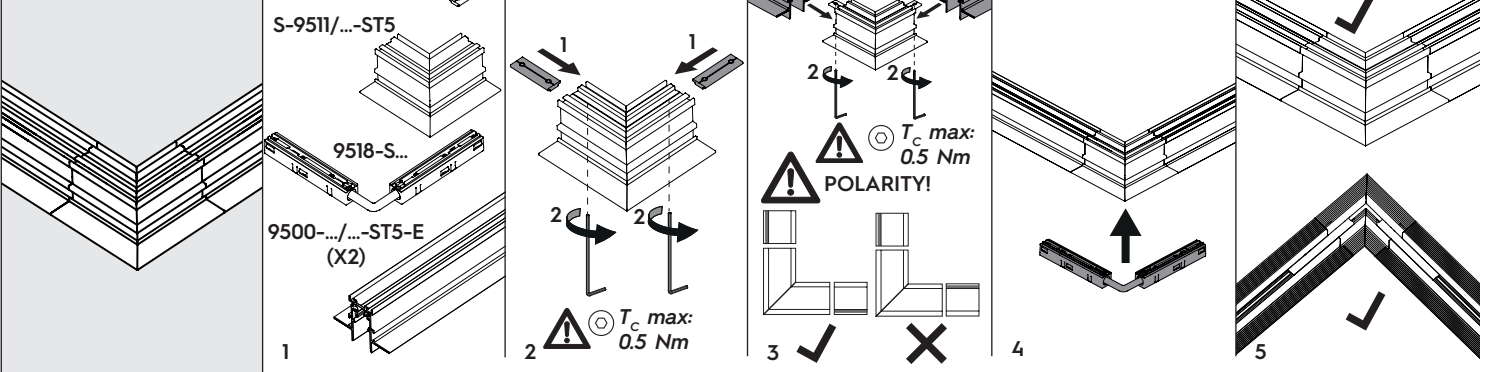


16

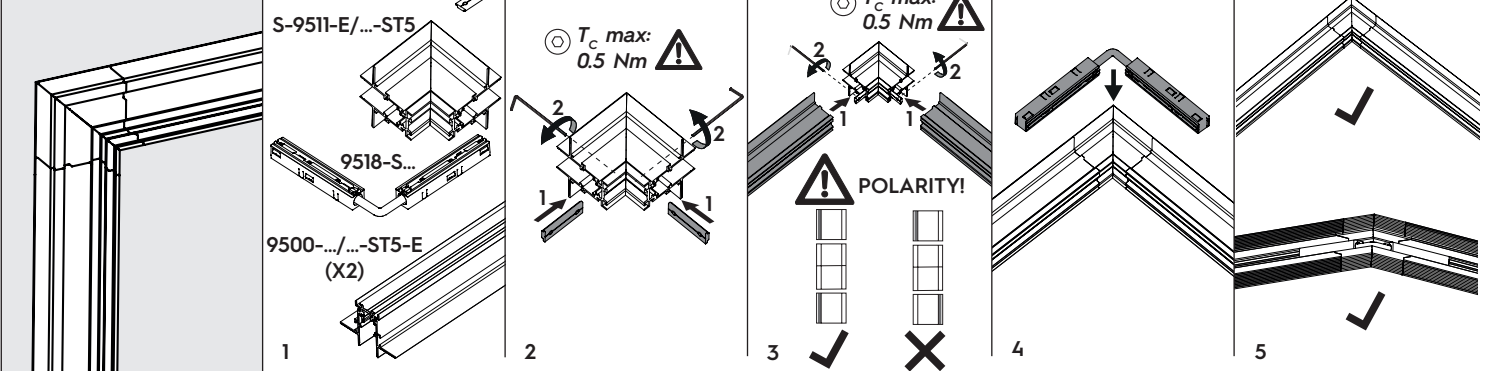
8 - CUTTING



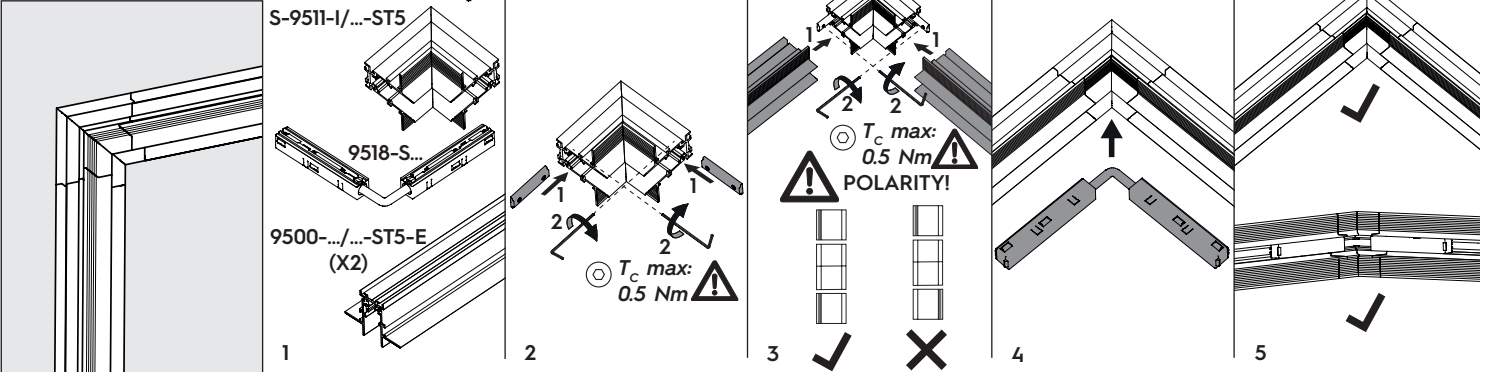
5 - S-9511/...-ST5



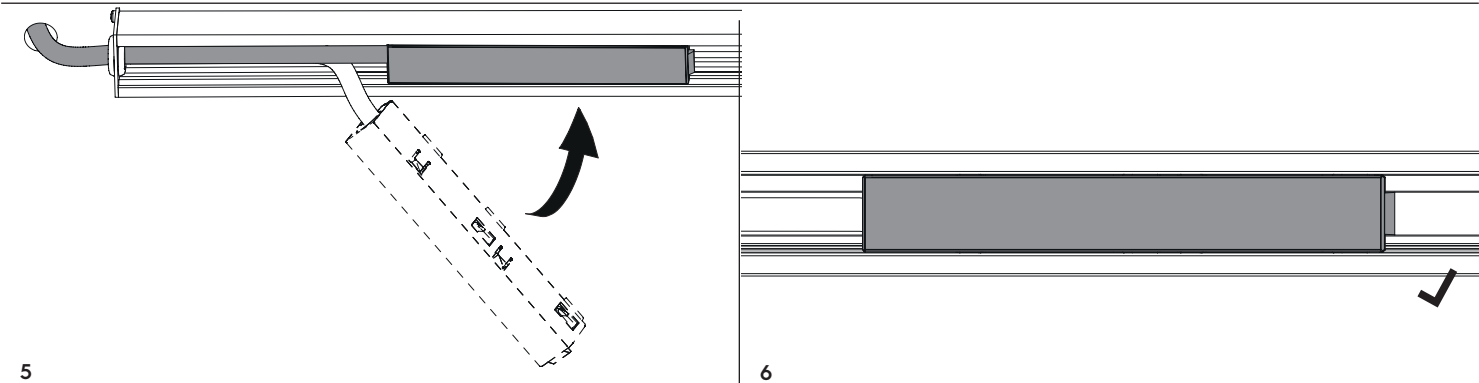
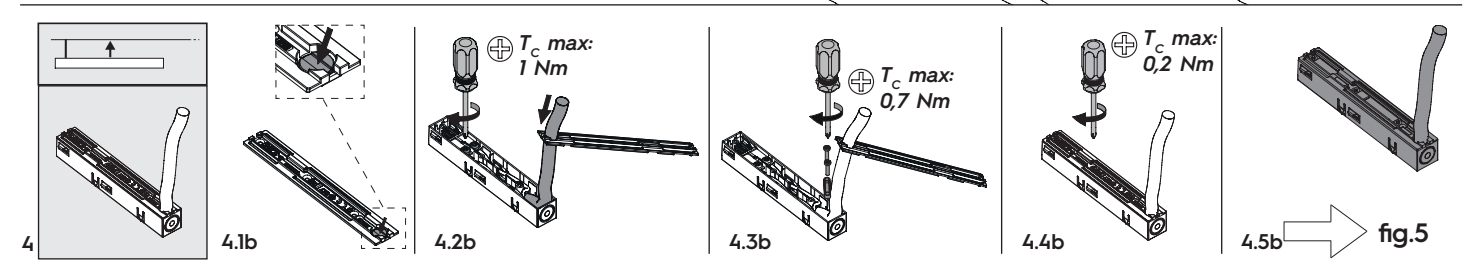
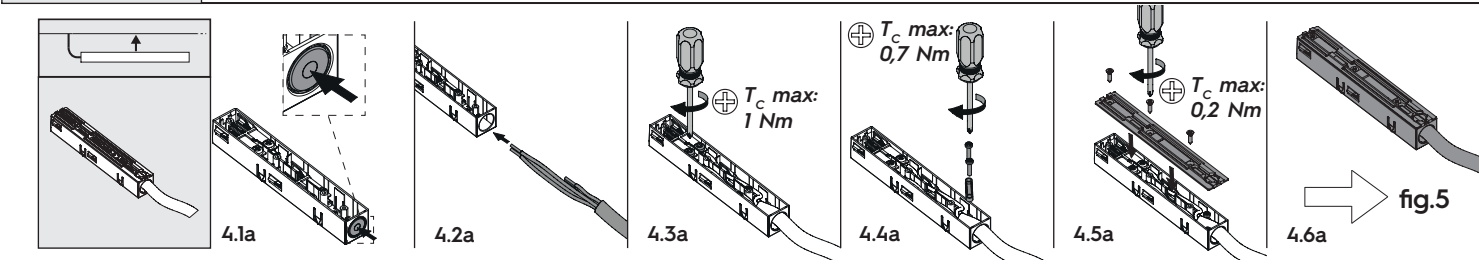
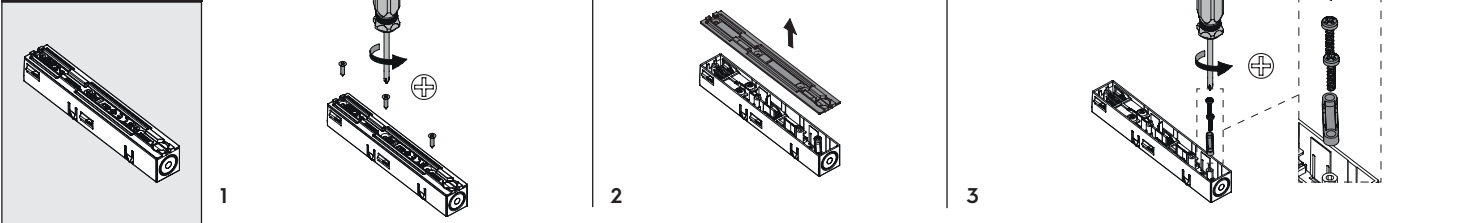
6 - S-9511-E/...-ST5



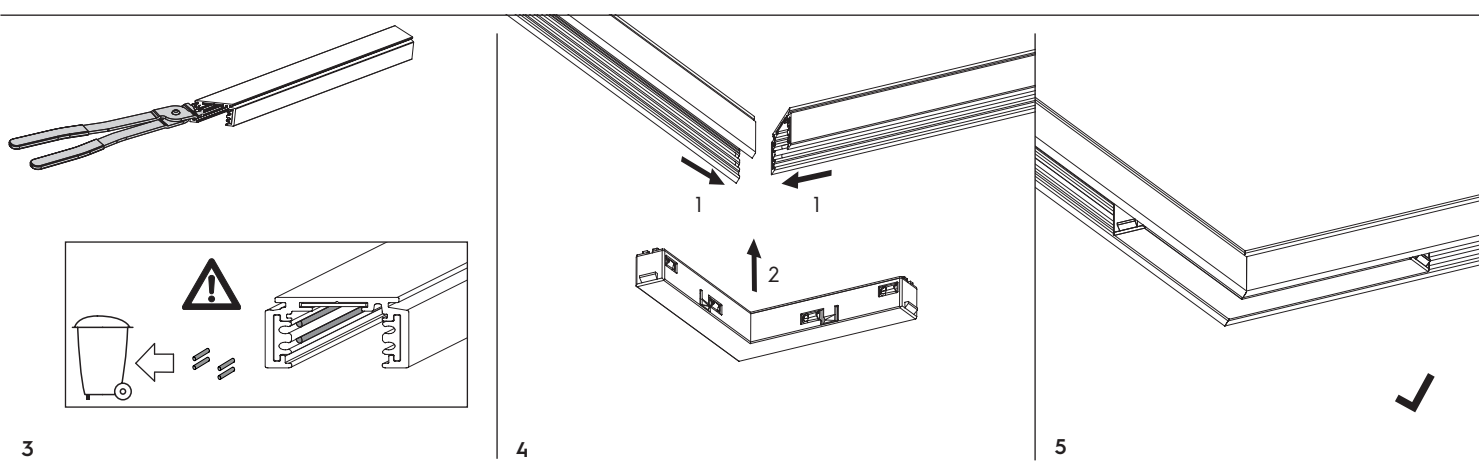
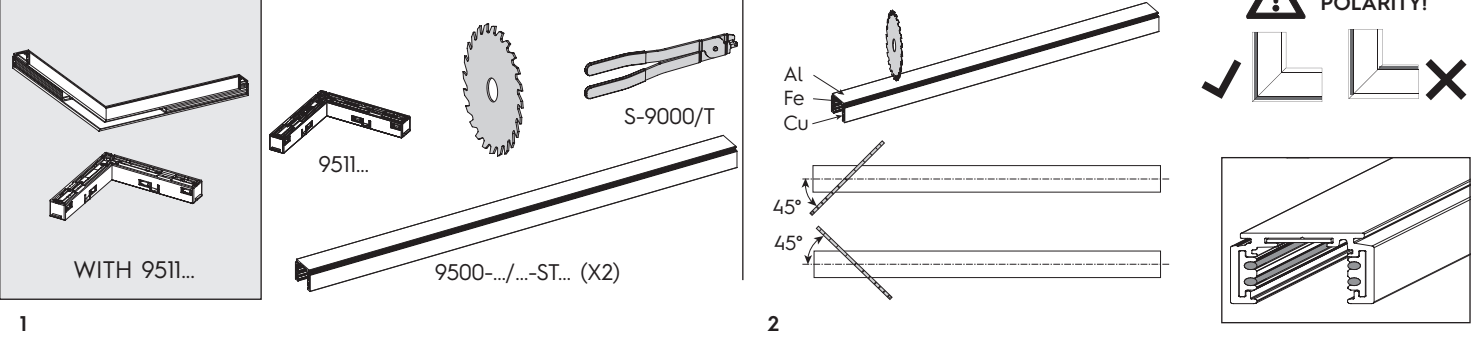
7 - S-9511-I/...-ST5



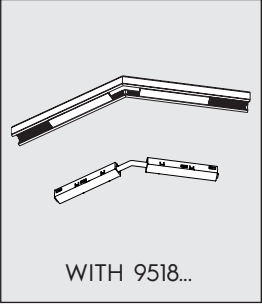
9 - 9501-S/...-E



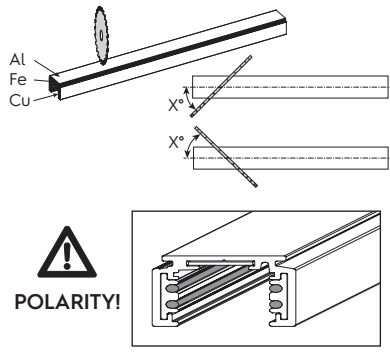
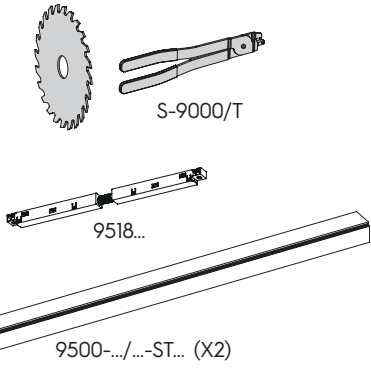
10 - 90° ANGLE



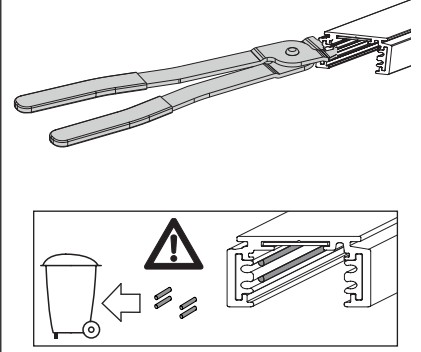
11 - ≈ 90° ANGLE



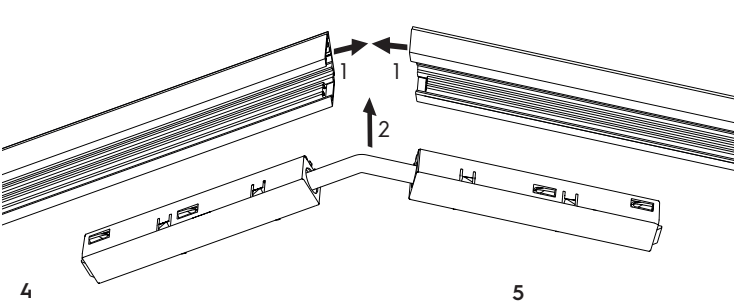
1



2

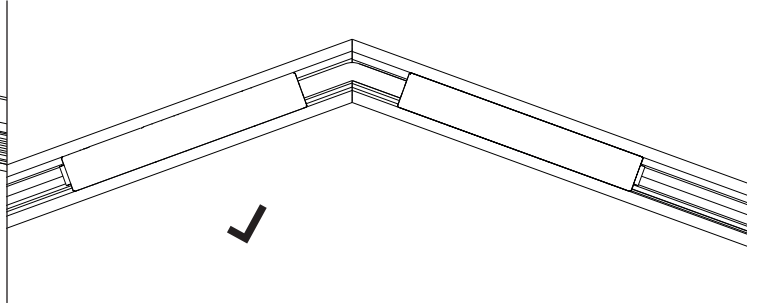


3



4

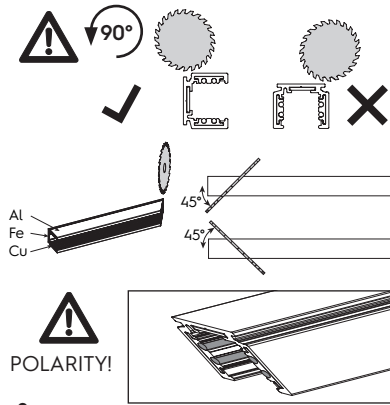
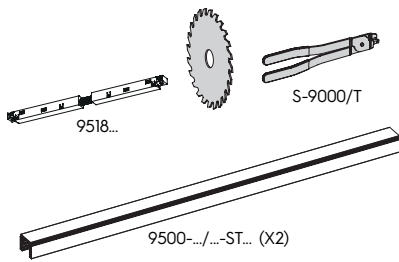
5



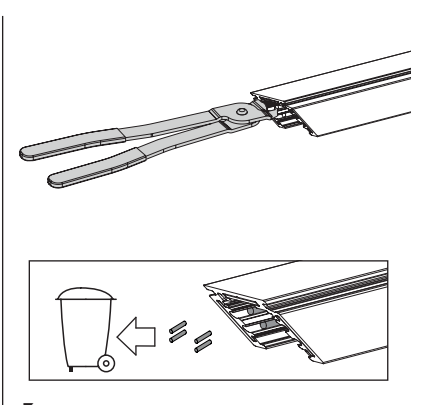
12 - WALL CEILING 90° ANGLE



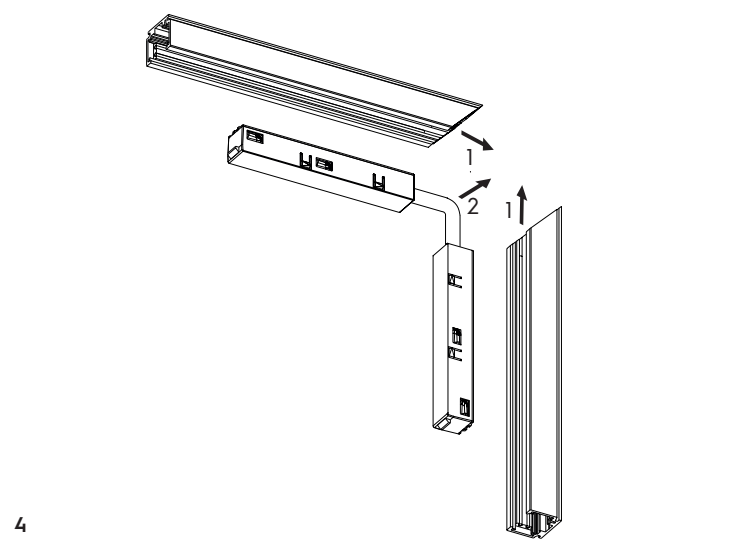
1



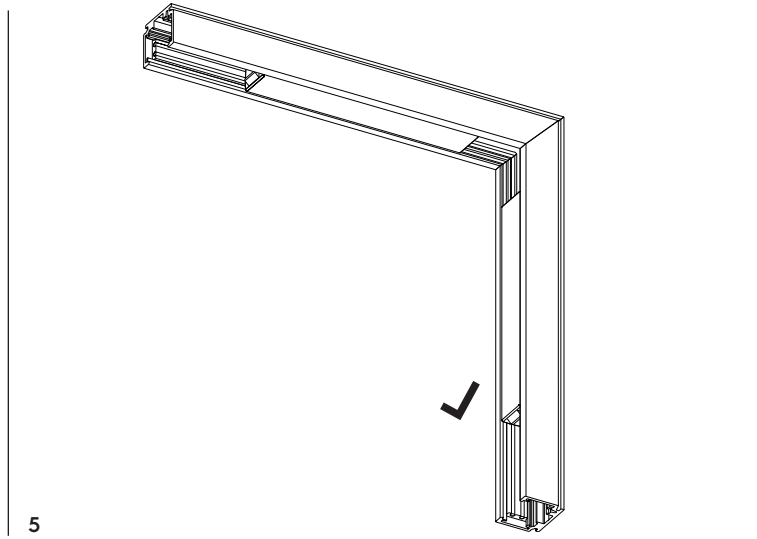
2



3



4



5