

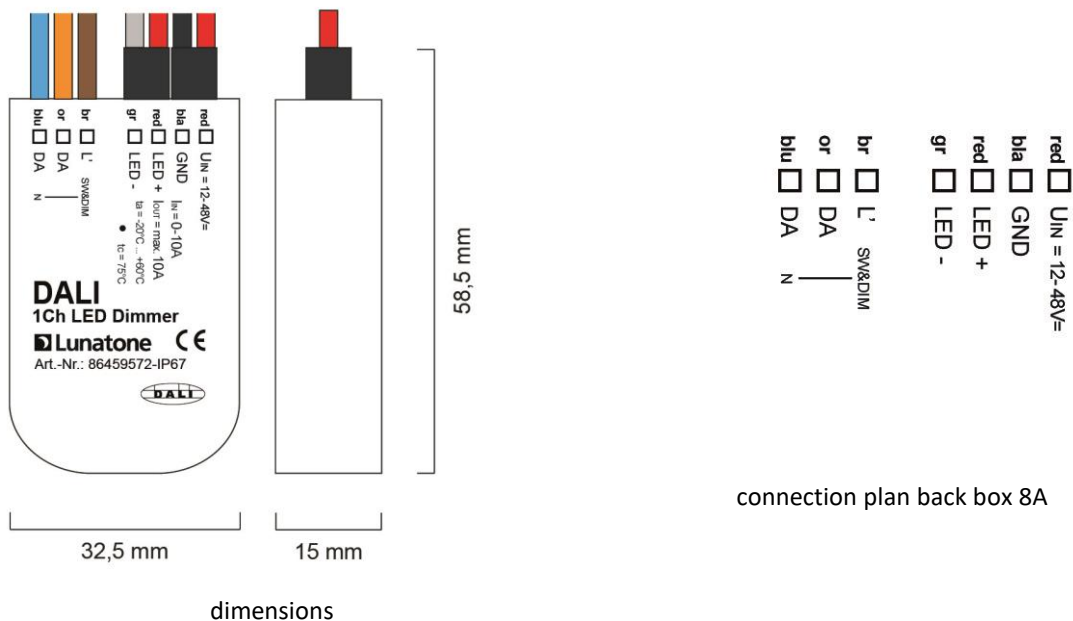
DALI 1Ch LED Dimmer CV Control Gear

Overview

- 1 channel DALI LED-Dimmer
- suitable for constant voltage LED-modules
- **Sw&Dim**: operation via a switch input for mains voltage allows control of the light level without DALI
- dimming range: 0.1%-100%
- PWM-Frequency 488Hz
- IP code IP67
- supply voltage from 12V to 48V DC
- max. input currents of 10A
- low standby power consumption
- high efficiency
- configuration via PC-software DALI Cockpit and DALI USB-interface

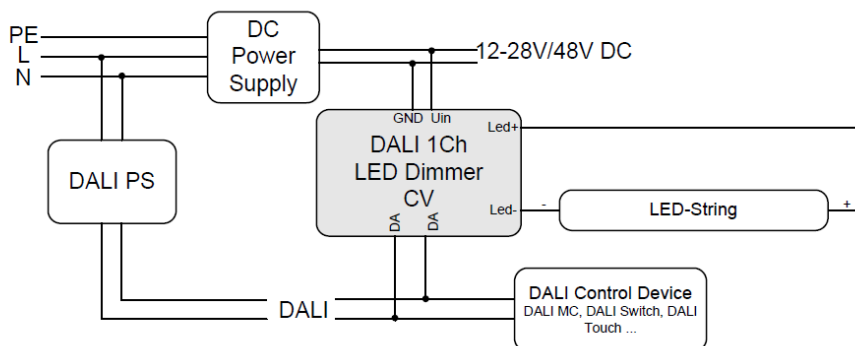
Specification, Characteristics

Type	DALI 1Ch LED Dimmer CV
article number	86459572-IP67
electrical data:	
supply voltage V_{in}	12VDC-48VDC
maximum input current I_{in_max}	10A
control input	DALI Sw&Dim (mains voltage)
current consumption DALI	2mA
number of DALI-addresses	1
standby power consumption (12V)	120 mW
technical data:	
power on behaviour	configurable via DALI: 0%-100% or last value
storing- and transportation temperature	-20°C ... +75°C
ambient temperature	-20°C ... +60°C
expected lifetime (at $T_c \leq 75^\circ\text{C}$)	>100000h
IP code	IP67
max. connecting wire cross section	250mm, 0.75mm ²
dimensions (LxWxH)	59x33x15 mm
housing/mounting	back box



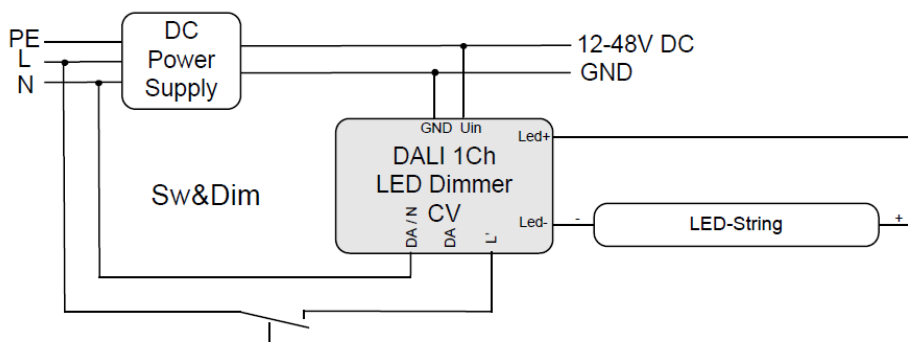
RECOMMENDATION: Care should be taken on keeping cable lengths between DC power supply and dimmer, as well as between dimmer and luminaires (Led-Strings), as short as possible. This kind of installation will minimize the influence of voltage drops

Control via DALI (1 address DT6):



Control via Sw&Dim:

Dimming and Switching: short press on/off, long press: dimming (alternating Up/Down)



Factory Default Settings

Summary of the delivery default settings

Operating mode	DT6
Min Level	0.1%
PowerOn Level	MASK (last value)
Fade Time	0 (0s)
Fade Rate	7 (44.7 steps/s)

Purchase Order Information

ArtNr. 86459572_IP67: 1-channel LED
Dimmer, CV, max. input current 10A, Sw&Dim,
12V-48V DC, IP67, back box

Additional Information and Equipment

Lunatone DALI-Cockpit

<https://www.lunatone.com/en/product/dali-cockpit/>

Lunatone DALI products

<https://www.lunatone.com/en/>

Lunatone datasheets and manuals

<https://www.lunatone.com/en/downloads-a-z/>

Contact

Technical Support: support@lunatone.com

Requests: sales@lunatone.com

www.lunatone.com



Disclaimer

Subject to change. Information provided without guarantee. The datasheet refers to the current delivery.

The compatibility with other devices must be tested in advance to the installation.