

Housing for SLE TW

Housing



Housing with LES13



Housing with LES17

Product description

- _ Housing for SLE TW
- _ Housing with Snap-On feature for easy reflector mounting
- _ Push terminals for quick and simple wiring
- _ The wiring can be solid wire 0.5 mm² or stranded wire with soldered ends 0.25 mm² to 0.5 mm², stripping length 6 – 7 mm
- _ Diameter: 50 mm
- _ Material: PBT-GF FR (17)
- _ M3 screws (max. head diameter of 6 mm) in combination with locking washers, max. torque for fixing is 0.5 Nm
- _ Glow wire test with 650 °C according to EN 60838-1

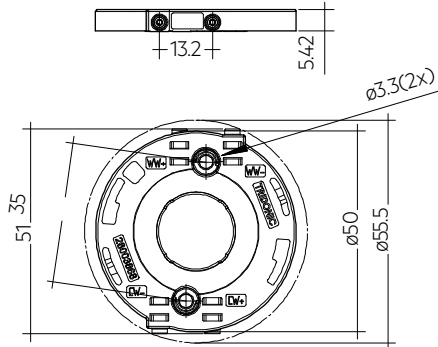
Website

<http://www.tridonic.com/28003868>



Housing for SLE TW

Housing



Ordering data

Type	Article number	Packaging, carton	Weight per pc.
SLE TW HOUSING D50 4T	28003868	42 pc(s).	0.007 kg