

ELA ADV2

Modules ELA advanced



ELA 600x600mm 3800lm ADV2



ELA 1200x300mm 3800lm ADV2

Product description

- _ Edgelit panel for direct recessed mount and surface or suspended mount with accessories
- _ With pre-installed connection cable and integrated plug
- _ For suspended ceiling grid measure of 600, 625 mm and 1,200 x 300 mm
- _ IK rating IK02
- _ Product colour (frame) RAL 9003
- _ Diffusor material standard article: PS, diffusor material TPA article (fullfills the TPA requirements): PS
- _ Lightguide material: PMMA
- _ HE ... High Efficiency, NM ... Nominal Mode, HO ... High Output
- _ Orders only in full carton quantities.
- _ Long lifetime: 50,000 hours
- _ 5 years guarantee (conditions at <https://www.tridonic.com/en/int/services/manufacturer-guarantee-conditions>)

Optical properties

- _ Colour temperatures 3,000, 4,000 and 6,500 K
- _ Useful luminous flux 4,295 lm at Irated and tp = 25 °C
- _ Efficacy of the LED module 136 lm/W at Irated and tp = 25 °C
- _ High colour rendering index CRI > 80
- _ Small colour tolerance (MacAdam 4) ^①
- _ Small luminous flux tolerances
- _ UGR < 19

Mechanical properties

- _ Module dimension 595 x 595 mm, 620 x 620 mm and 1,195 x 295 mm

System solution

- _ Combine Tridonic's LED modules and dimmable drivers to achieve an outstanding system efficacy (configuration possible via <https://setbuilder.tridonic.com/>)

^① Integral measurement over the complete module.

Website

<http://www.tridonic.com/28003274>



Linear



High bay



Decorative



Downlights



Spotlights



Free-standing



Area



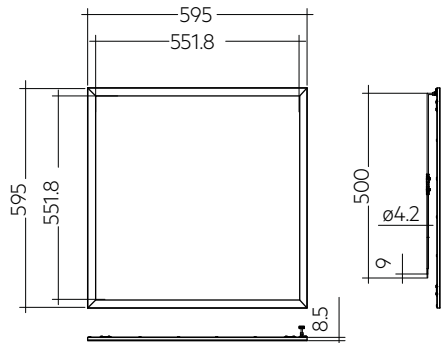
Floor | Wall



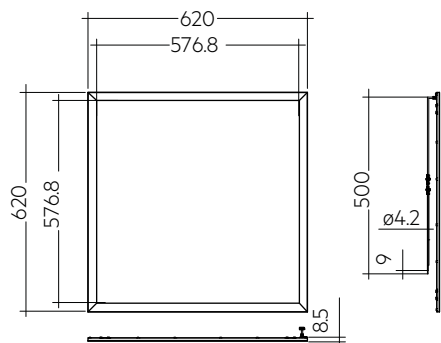
Street

ELA ADV2

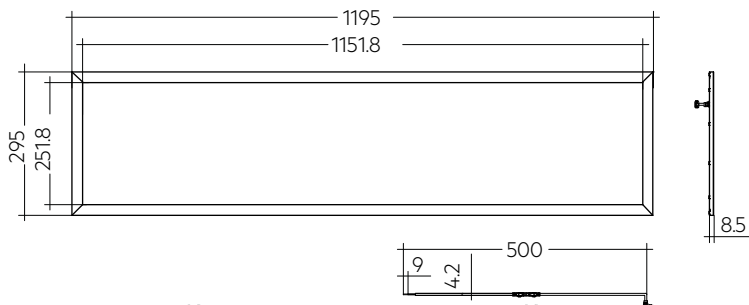
Modules ELA advanced



ELA 600x600mm 3800lm ADV2



ELA 625x625mm 3800lm ADV2



ELA 1200x300mm 3800lm ADV2

Ordering data

Type	Article number	Colour temperature	Packaging, carton	Weight per pc.
ELA 600x600mm 3800lm 830 ADV2	28003274	3,000 K	5 pc(s).	2.50 kg
ELA 600x600mm 3800lm 840 ADV2	28003275	4,000 K	5 pc(s).	2.50 kg
ELA 600x600mm 3800lm 865 ADV2	28003276	6,500 K	5 pc(s).	2.50 kg
ELA 600x600mm 3800lm 830 ADV2 TPA	28003283	3,000 K	5 pc(s).	2.65 kg
ELA 600x600mm 3800lm 840 ADV2 TPA	28003284	4,000 K	5 pc(s).	2.65 kg
ELA 625x625mm 3800lm 830 ADV2	28003277	3,000 K	5 pc(s).	2.75 kg
ELA 625x625mm 3800lm 840 ADV2	28003278	4,000 K	5 pc(s).	2.75 kg
ELA 1200x300mm 3800lm 830 ADV2	28003279	3,000 K	5 pc(s).	2.55 kg
ELA 1200x300mm 3800lm 840 ADV2	28003280	4,000 K	5 pc(s).	2.55 kg
ELA 1200x300mm 3800lm 865 ADV2	28003281	6,500 K	5 pc(s).	2.55 kg

Technical data

Beam characteristic	90°
Ambient temperature ta	-20 ... +40 °C
tp rated	45 °C
tc	70 °C
Irated	800 mA
I _{max}	990 mA
Max. permissible LF current ripple	1,170 mA
Max. permissible peak current	1,500 mA / max. 10 ms
Max. working voltage for insulation SELV	< 60 V
Insulation test voltage	0.5 kV
Colour tolerance	4 SDCM
ESD classification	Severity level 2
Risk group (IEC 62471) ²⁾	RG0
Classification acc. to IEC 62031	Independent
Type of protection	IP40 (front) / IP20 (back)
Lumen maintenance L70B50	50,000 h
Guarantee (conditions at www.tridonic.com)	5 Year(s)

Approval marks**Standards**

EN 62031, EN 62471, EN 61000-4-2, EN 62717, EN 60598-1

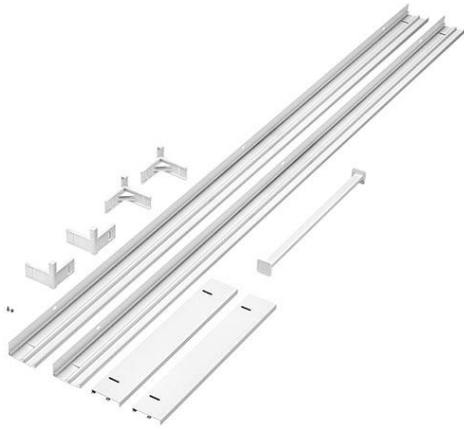
Specific technical data

Type	Article number	Photometric code	Useful luminous flux at $t_p = 25^\circ\text{C}$ ^②	Expected luminous flux at t_p rated ^③	Typ. forward current	Min. forward voltage at t_p rated	Max. forward voltage at $t_p = 25^\circ\text{C}$	Power consumption P_{on} at $t_p = 25^\circ\text{C}$ ^⑤	Efficacy of the module at $t_p = 25^\circ\text{C}$	Expected efficacy of the module at t_p rated	Colour rendering index CRI
Operating mode HE at 600 mA											
ELA 600x600mm 3800lm 830 ADV2	28003274	830/469	-	2,881 lm	600 mA	36.9 V	40.2 V	23.2 W	-	125 lm/W	>80
ELA 600x600mm 3800lm 840 ADV2	28003275	840/469	-	3,049 lm	600 mA	36.9 V	40.2 V	23.2 W	-	133 lm/W	>80
ELA 600x600mm 3800lm 865 ADV2	28003276	865/469	-	3,049 lm	600 mA	36.9 V	40.2 V	23.2 W	-	133 lm/W	>80
ELA 600x600mm 3800lm 830 ADV2 TPA	28003283	830/469	-	2,881 lm	600 mA	36.9 V	40.2 V	23.2 W	-	125 lm/W	>80
ELA 600x600mm 3800lm 840 ADV2 TPA	28003284	840/469	-	3,049 lm	600 mA	36.9 V	40.2 V	23.2 W	-	133 lm/W	>80
ELA 625x625mm 3800lm 830 ADV2	28003277	830/469	-	2,881 lm	600 mA	36.9 V	40.2 V	23.2 W	-	125 lm/W	>80
ELA 625x625mm 3800lm 840 ADV2	28003278	840/469	-	3,049 lm	600 mA	36.9 V	40.2 V	23.2 W	-	133 lm/W	>80
ELA 1200x300mm 3800lm 830 ADV2	28003279	830/469	-	2,881 lm	600 mA	36.9 V	40.2 V	23.2 W	-	125 lm/W	>80
ELA 1200x300mm 3800lm 840 ADV2	28003280	840/469	-	3,049 lm	600 mA	36.9 V	40.2 V	23.2 W	-	133 lm/W	>80
ELA 1200x300mm 3800lm 865 ADV2	28003281	865/469	-	3,049 lm	600 mA	36.9 V	40.2 V	23.2 W	-	133 lm/W	>80
Operating mode NM at 800 mA											
ELA 600x600mm 3800lm 830 ADV2	28003274	830/469	4,040 lm	3,799 lm	800 mA	37.6 V	41.1 V	31.6 W	128 lm/W	121 lm/W	>80
ELA 600x600mm 3800lm 840 ADV2	28003275	840/469	4,295 lm	4,017 lm	800 mA	37.6 V	41.1 V	31.6 W	136 lm/W	128 lm/W	>80
ELA 600x600mm 3800lm 865 ADV2	28003276	865/469	4,295 lm	4,017 lm	800 mA	37.6 V	41.1 V	31.6 W	136 lm/W	128 lm/W	>80
ELA 600x600mm 3800lm 830 ADV2 TPA	28003283	830/469	3,524 lm	3,799 lm	800 mA	37.6 V	41.1 V	31.6 W	112 lm/W	121 lm/W	>80
ELA 600x600mm 3800lm 840 ADV2 TPA	28003284	840/469	3,744 lm	4,017 lm	800 mA	37.6 V	41.1 V	31.6 W	118 lm/W	128 lm/W	>80
ELA 625x625mm 3800lm 830 ADV2	28003277	830/469	4,040 lm	3,799 lm	800 mA	37.6 V	41.1 V	31.6 W	128 lm/W	121 lm/W	>80
ELA 625x625mm 3800lm 840 ADV2	28003278	840/469	4,295 lm	4,017 lm	800 mA	37.6 V	41.1 V	31.6 W	136 lm/W	128 lm/W	>80
ELA 1200x300mm 3800lm 830 ADV2	28003279	830/469	4,040 lm	3,799 lm	800 mA	37.6 V	41.1 V	31.6 W	128 lm/W	121 lm/W	>80
ELA 1200x300mm 3800lm 840 ADV2	28003280	840/469	4,295 lm	4,017 lm	800 mA	37.6 V	41.1 V	31.6 W	136 lm/W	128 lm/W	>80
ELA 1200x300mm 3800lm 865 ADV2	28003281	865/469	4,295 lm	4,017 lm	800 mA	37.6 V	41.1 V	31.6 W	136 lm/W	128 lm/W	>80
Operating mode HO at 900 mA											
ELA 600x600mm 3800lm 830 ADV2	28003274	830/469	-	4,213 lm	900 mA	38.0 V	41.5 V	35.9 W	-	118 lm/W	>80
ELA 600x600mm 3800lm 840 ADV2	28003275	840/469	-	4,447 lm	900 mA	38.0 V	41.5 V	35.9 W	-	125 lm/W	>80
ELA 600x600mm 3800lm 865 ADV2	28003276	865/469	-	4,447 lm	900 mA	38.0 V	41.5 V	35.9 W	-	125 lm/W	>80
ELA 600x600mm 3800lm 830 ADV2 TPA	28003283	830/469	-	4,213 lm	900 mA	38.0 V	41.5 V	35.9 W	-	118 lm/W	>80
ELA 600x600mm 3800lm 840 ADV2 TPA	28003284	840/469	-	4,447 lm	900 mA	38.0 V	41.5 V	35.9 W	-	125 lm/W	>80
ELA 625x625mm 3800lm 830 ADV2	28003277	830/469	-	4,213 lm	900 mA	38.0 V	41.5 V	35.9 W	-	118 lm/W	>80
ELA 625x625mm 3800lm 840 ADV2	28003278	840/469	-	4,447 lm	900 mA	38.0 V	41.5 V	35.9 W	-	125 lm/W	>80
ELA 1200x300mm 3800lm 830 ADV2	28003279	830/469	-	4,213 lm	900 mA	38.0 V	41.5 V	35.9 W	-	118 lm/W	>80
ELA 1200x300mm 3800lm 840 ADV2	28003280	840/469	-	4,447 lm	900 mA	38.0 V	41.5 V	35.9 W	-	125 lm/W	>80
ELA 1200x300mm 3800lm 865 ADV2	28003281	865/469	-	4,447 lm	900 mA	38.0 V	41.5 V	35.9 W	-	125 lm/W	>80

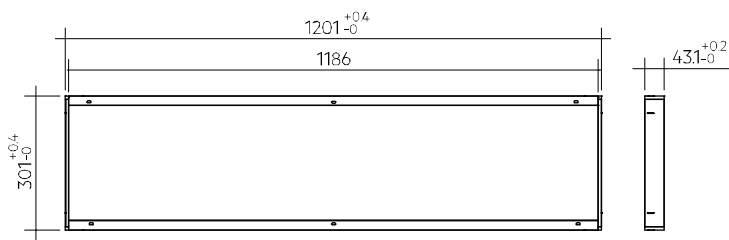
② Measured at I_{max} .③ Tolerance of useful light flux - 0 % / + 15 %. Measurement uncertainty ± 10 %.④ Tolerance of expected light flux - 0 % / + 15 %. Measurement uncertainty ± 10 %. Based on calculation.⑤ Tolerance of power consumption P_{on} ± 10 %. Measurement uncertainty ± 5 %.

ELA mounting accessories ACE Surface mount kit

Accessory

**Product description**

_ Aluminium frame for easy surface mounting

Website<http://www.tridonic.com/28003372>**Ordering data**

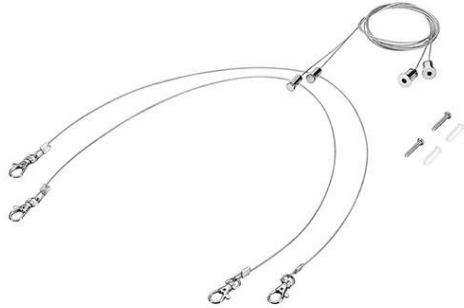
Type	Article number	Colour	Packaging, carton	Weight per pc.
ACE SURFACE MOUNT KIT 600mm AL WH G2	28003372	White	20 pc(s).	0.483 kg
ACE SURFACE MOUNT KIT 625mm AL WH G2	28003373	White	20 pc(s).	0.502 kg
ACE SURFACE MOUNT KIT 1200x300mm AL WH	28003291	White	20 pc(s).	0.630 kg

ELA mounting accessories ACE Suspension kit

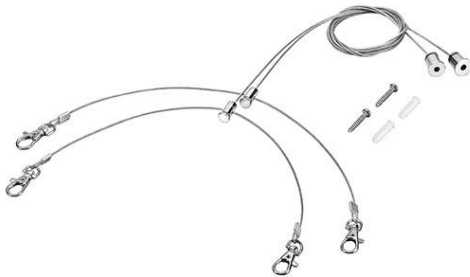
Accessory

Product description

- _ Steel wire system for suspended mounting
- _ Suspension height up to 1.2 m



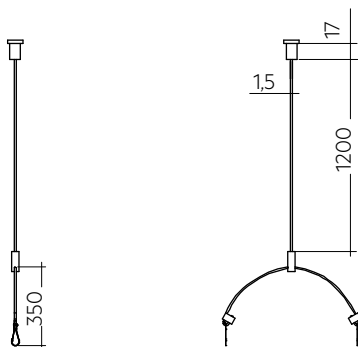
ACE Suspension kit 600-625mm STL SI G2



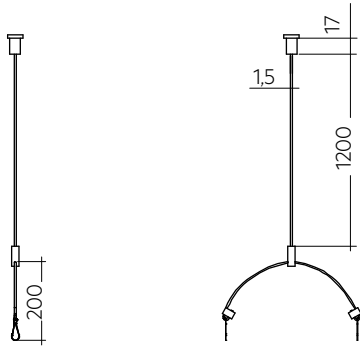
ACE Suspension kit 1200x300mm STL SI

Website

<http://www.tridonic.com/28003374>



ACE Suspension kit 600-625mm STL SI G2



ACE Suspension kit 1200x300mm STL SI

Ordering data

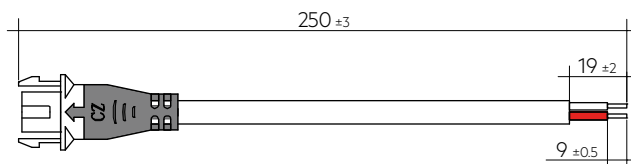
Type	Article number	Colour	Packaging, carton	Weight per pc.
ACE SUSPENSION KIT 600-625mm STL SI G2	28003374	Silver	100 pc(s).	0.097 kg
ACE SUSPENSION KIT 1200x300mm STL SI	28003292	Silver	100 pc(s).	0.092 kg

ELA mounting accessories ACE Lead connector

Accessory

**Product description**

- _ Additional driver pre-assembly lead connector for easy and fast onsite installation
- _ Length 250 mm
- _ Wire cross section AWG 22
- _ Temperature resistance 80 °C

Website
<http://www.tridonic.com/28003371>
**Ordering data**

Type	Article number	Colour	Packaging, carton	Weight per pc.
ACE LEAD CONNECTOR 250mm 22AWG	28003371	White	100 pc(s).	0.009 kg

1. Standards

EN 62031
 EN 62471
 EN 61000-4-2
 EN 62717
 EN 60598-1

1.1 Photometric code

Key for photometric code, e. g. 830 / 359

1 st digit	2 nd + 3 rd digit	4 th digit	5 th digit	6 th digit
Code CRI	Colour temperature in Kelvin x 100	MacAdam initial	MacAdam after 25% of the lifetime (max.6000h)	Luminous flux after 25% of the lifetime (max.6000h)
7 70 – 79				Code Luminous flux
8 80 – 89				7 ≥ 70 %
9 ≥90				8 ≥ 80 % 9 ≥ 90 %

1.2 Energy classification

Type	Colour temperature	Forward current	Energy classification	Energy consumption
ELA 600x600mm				
ELA 600x600mm 3800lm 830 ADV2	3,000 K	800 mA	E	32 kWh / 1,000 h
ELA 600x600mm 3800lm 840 ADV2	4,000 K	800 mA	E	32 kWh / 1,000 h
ELA 600x600mm 3800lm 865 ADV2	6,500 K	800 mA	E	32 kWh / 1,000 h
ELA 600x600mm 3800lm 830 ADV2 TPA	3,000 K	800 mA	E	32 kWh / 1,000 h
ELA 600x600mm 3800lm 840 ADV2 TPA	4,000 K	800 mA	E	32 kWh / 1,000 h
ELA 625x625mm				
ELA 625x625mm 3800lm 830 ADV2	3,000 K	800 mA	E	32 kWh / 1,000 h
ELA 625x625mm 3800lm 840 ADV2	4,000 K	800 mA	E	32 kWh / 1,000 h
ELA 1200x300mm				
ELA 1200x300mm 3800lm 830 ADV2	3,000 K	800 mA	E	32 kWh / 1,000 h
ELA 1200x300mm 3800lm 840 ADV2	4,000 K	800 mA	E	32 kWh / 1,000 h
ELA 1200x300mm 3800lm 865 ADV2	6,500 K	800 mA	E	32 kWh / 1,000 h

Energy label and further information at www.tridonic.com in the certificates tab of the corresponding product page and at the EPREL data base <https://eprel.ec.europa.eu/>

2. Thermal details

2.1 tc point, ambient temperature and lifetime

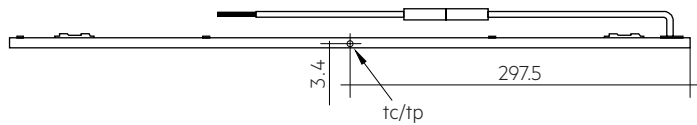
The temperature at tp reference point is crucial for the light output and lifetime of a LED product.

For ELA a tp temperature of 45 °C has to be complied in order to achieve an optimum between light output and lifetime.

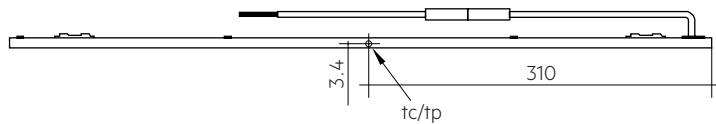
Compliance with the maximum permissible reference temperature at the tc point must be checked under operating conditions in a thermally stable state. The maximum value must be determined under worst-case conditions for the relevant application.

The tc and tp temperature of LED modules from Tridonic are measured at the same reference point.

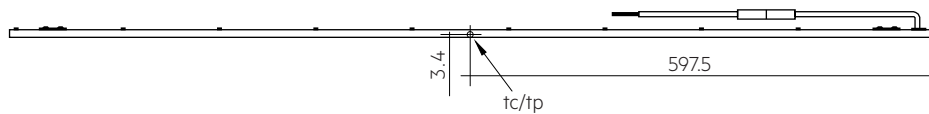
ELA 600x600 3800lm ADV2:



ELA 625x625 3800lm ADV2:



ELA 1200x300 3800lm ADV2:



2.2 Storage and humidity

Storage temperature	-20... +50 °C
---------------------	---------------

Operation only in non condensing environment.

Humidity during operation of the module should be between 0 to 70 %.

2.3 Thermal design and heat sink

The rated life of LED products depends to a large extent on the operating temperature.

If the permissible temperature limits are exceeded, the life of the ELA will be greatly reduced or the ELA may be destroyed.

3. Installation / wiring

3.1 Electrical supply/choice of LED driver

ELA modules from Tridonic are not protected against overvoltages, overcurrents, overloads or short-circuit currents. Safe and reliable operation can only be guaranteed in conjunction with a LED driver which complies with the relevant standards. The use of LED driver from Tridonic in combination with ELA modules guarantees the necessary protection for safe and reliable operation.

If a LED driver other than Tridonic is used, it must provide the following protection:

- Short-circuit protection
- Overload protection
- Overtemperature protection



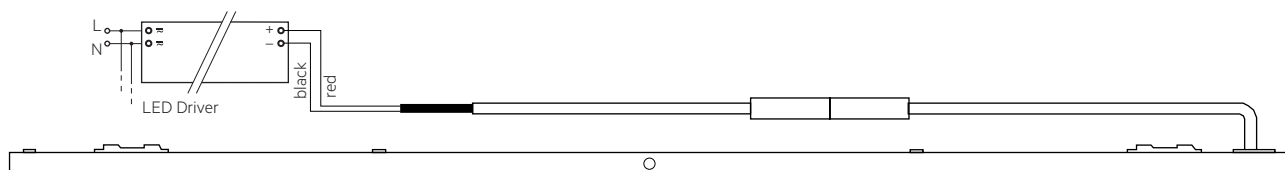
ELA modules must be supplied by a constant current LED driver. Operation with a constant voltage LED driver will lead to an irreversible damage of the module.

Wrong polarity can damage the ELA.

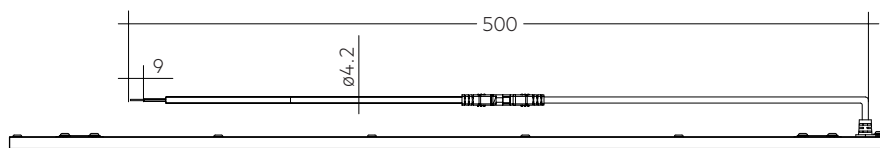


ELA modules must be operated with SELV LED drivers. ELA modules are not designed for parallel or serial wiring. A separate driver or output channel (for multi-channel LED drivers) must be used for each ELA module.

3.2 Wiring



3.3 Wiring type and cross section



ELA has a pre-installed, flexible connection cable for easy connection of the driver during installation

Wire cross section: AWG22

Stripping length: 9 mm, pre-tinned

3.4 Mounting instruction



None of the components of the ELA (substrate, LED, electronic components etc.) may be exposed to tensile or compressive stresses.

Recessed mounting for suspended ceilings with grid measure of 600 or 625 mm.

For surface mounted applications use the ACE Surface mount kit and for suspended mounting the ACE Suspension kit.

For more details see mounting instructions.

To prevent fingerprints we recommend to mount the ELA only with gloves.



Chemical substance may harm the LED module. Chemical reactions could lead to colour shift, reduced luminous flux or a total failure of the module caused by corrosion of electrical connections.

Materials which are used in LED applications (e.g. sealings, adhesives) must not produce dissolver gas. They must not be condensation curing based, acetate curing based or contain sulfur, chlorine or phthalate.

Avoid corrosive atmosphere during usage and storage.

3.5 EOS/ESD safety guidelines



The device / module contains components that are sensitive to electrostatic discharge and may only be installed in the factory and on site if appropriate EOS/ESD protection measures have been taken. No special measures need be taken for devices/modules with enclosed casings (contact with the pc board not possible), just normal installation practice. Please note the requirements set out in the document EOS / ESD guidelines (Guideline_EOS_ESD.pdf) at: <http://www.tridonic.com/esd-protection>

4. Lifetime

4.1 Lifetime, lumen maintenance and failure rate

The light output of an LED module decreases over the lifetime, this is characterized with the L value.

L70 means that the LED module will give 70 % of its initial luminous flux. This value is always related to the number of operation hours and therefore defines the lifetime of an LED module.

The L value is a statistical value and the lumen maintenance may vary over the delivered LED modules.

The B value defines the amount of modules which are below the specific L value, e.g. L70B10 means 10 % of the LED modules are below 70 % of the initial luminous flux, respectively 90 % will be above 70 % of the initial value. In addition the percentage of failed modules (fatal failure) is characterized by the C value.

The F value is the combination of the B and C value. That means for F degradation and complete failures are considered, e.g. L70F10 means 10 % of the LED modules may fail or be below 70 % of the initial luminous flux.

4.2 Lumen maintenance for ELA

Forward current	tp temperature	L90 / B10	L90 / B50	L80 / B10	L80 / B50	L70 / B10	L70 / B50
600 /	45 °C	28k h	32k h	>50k h	>50k h	>50k h	>50k h
800 /	55 °C	28k h	32k h	>50k h	>50k h	>50k h	>50k h
900 mA	65 °C	25k h	28k h	>50k h	>50k h	>50k h	>50k h
	70 °C	22k h	25k h	>50k h	>50k h	>50k h	>50k h

Lumen maintenance values are based on LM80 data. Table may be updated when more recent results are available.

4.3 Switching capability

25,000 cycles

Test according to IEC 62717 Cl 10.3.3

30 s on / 30 s off at I_{max}

5. Electrical values

5.1 Declaration of electrical parameters

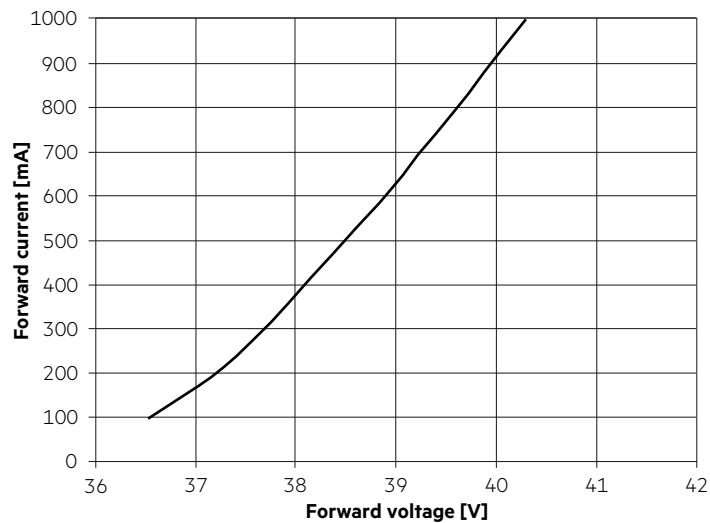
I_{rated} ... Nominal operating current the module is designed for.

I_{max} ... Max. permissible continuous operating current incl. the tolerances of the LED driver.

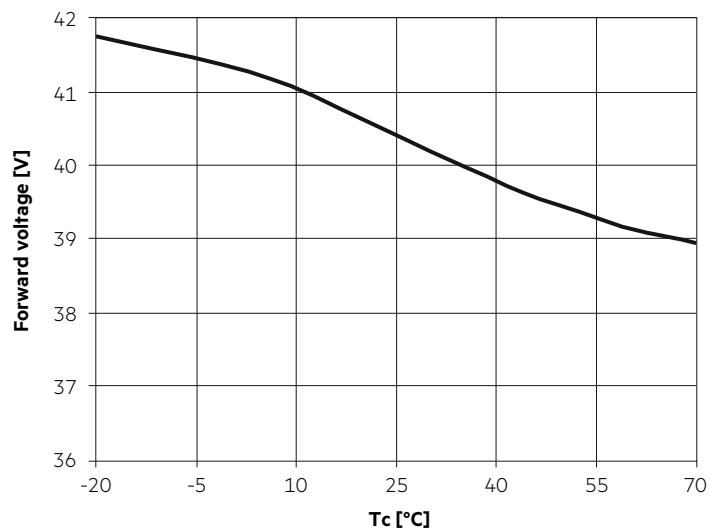
Max. permissible LF current ripple ... Max. output current of the LED driver incl. Tolerances and LF current ripple must not exceed this value.

Max. permissible peak current ... The max. output peak current of the LED driver must not exceed this value.

5.2 Typ. forward voltage vs. forward current



5.3 Forward voltage vs. T_c temperature



The diagrams are based on statistic values.

The real values can be different.

6. Photometric characteristics

6.1 Coordinates and tolerances according to CIE 1931

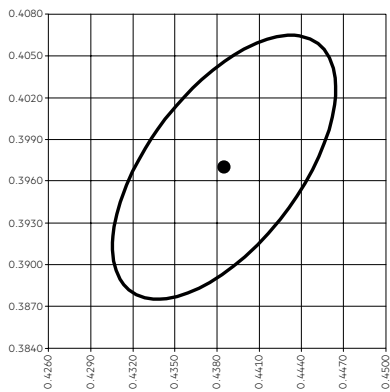
The specified colour coordinates are measured integral by a current impulse at the rated current. Integration time is 100 ms.

The ambient temperature of the measurement is $t_a = 25^\circ\text{C}$.

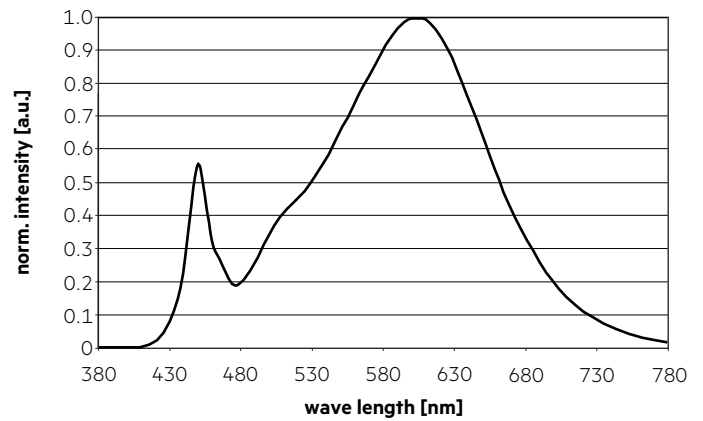
The measurement tolerance of the colour coordinates are ± 0.005 .

3,000 K

	x0	y0
Centre	0.4385	0.3970

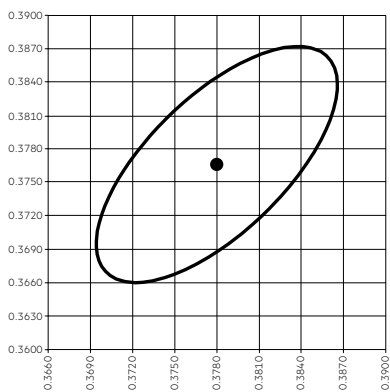


— MacAdam Ellipse: 4SDCM

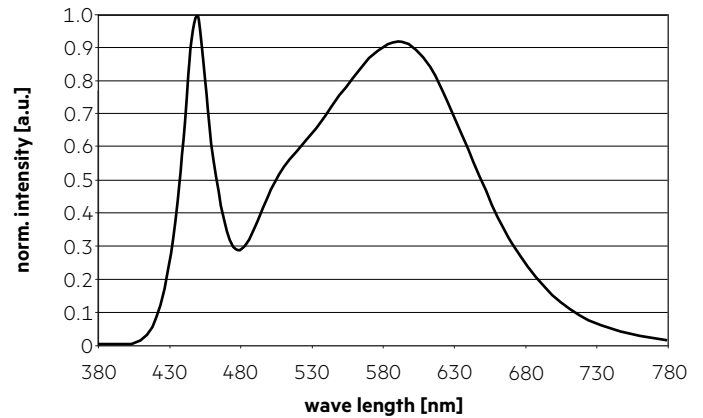


4,000 K

	x0	y0
Centre	0.3780	0.3766

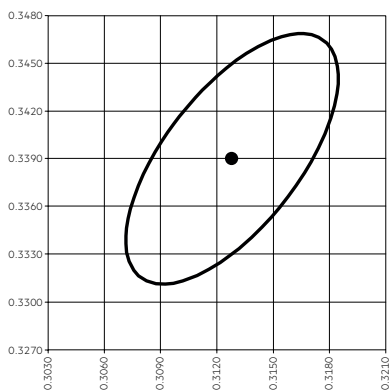


— MacAdam Ellipse: 4SDCM

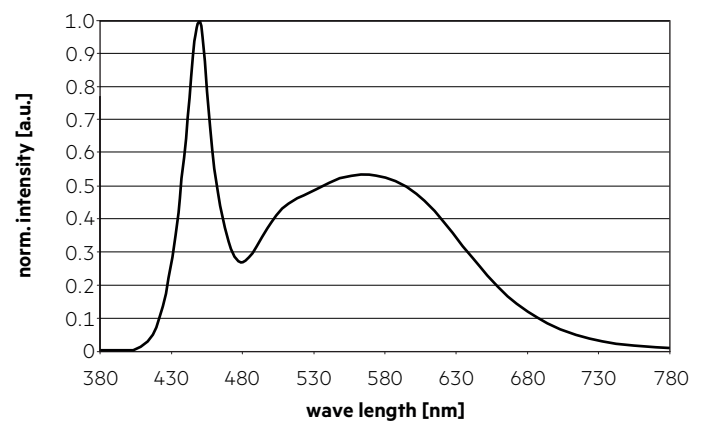


6,500 K

	x0	y0
Centre	0.3128	0.3390



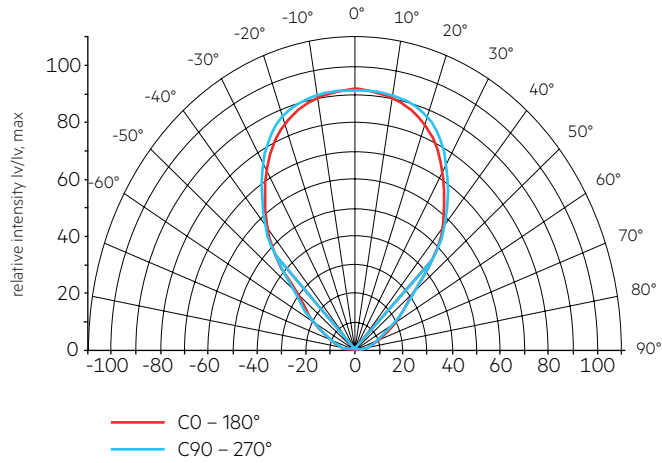
— MacAdam Ellipse: 4SDCM



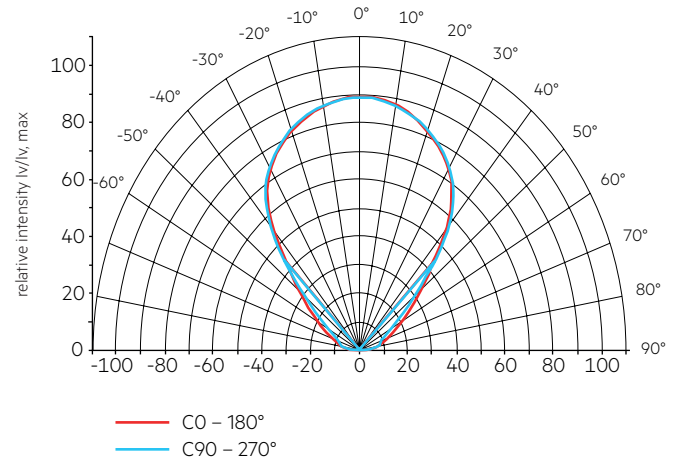
6.2 Light distribution

The optical design of the ELA product line ensures optimum homogeneity for the light distribution.

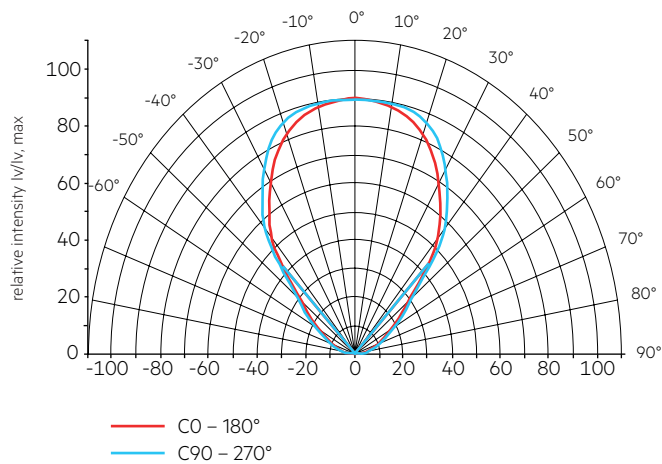
ELA 600x600 3800lm ADV2:



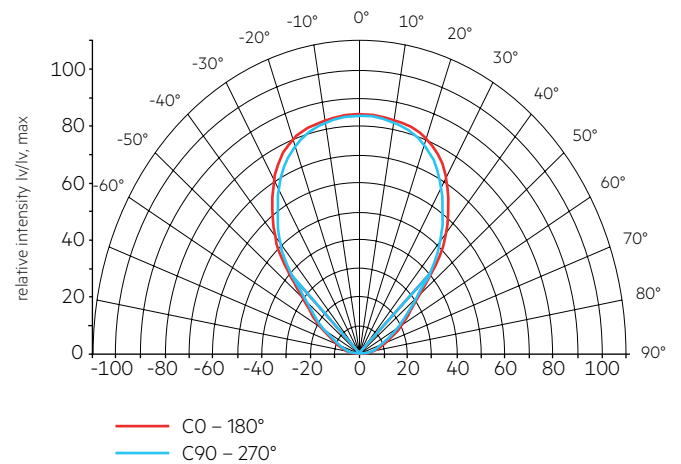
ELA 600x600 3800lm ADV2 TPA:



ELA 625x625 3800lm ADV2:



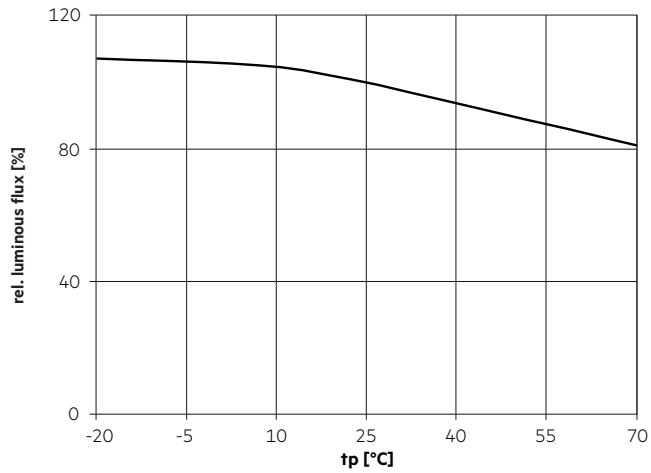
ELA 1200x300 3800lm ADV2:



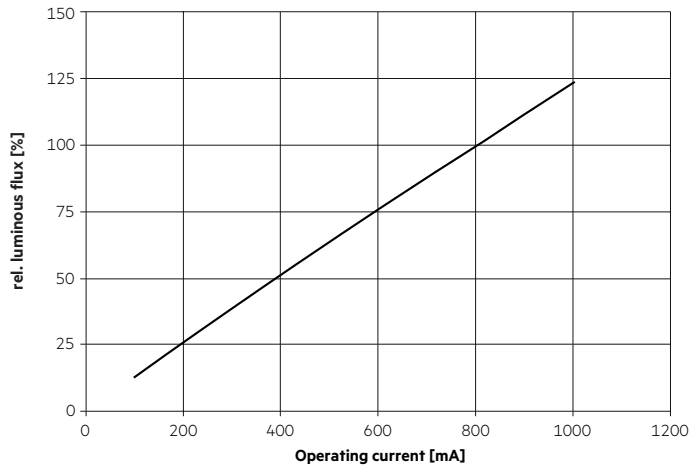
The colour temperature is measured integral over the complete module. The single LED light points can have deviations in the colour coordinates.

The random appearance of minor shining dots is state of the art and technologically inevitable. This does not qualify for returns or warranty claims.

6.3 Relative luminous flux vs. tc temperature



6.4 Relative luminous flux vs. operating current



7. Miscellaneous

7.1 Additional information

Additional technical information at www.tridonic.com → Technical Data

Guarantee conditions at www.tridonic.com → Services

Lifetime declarations are informative and represent no warranty claim.