

## SENZAFINE HE OPAL / SENZAFINE HE OPAL

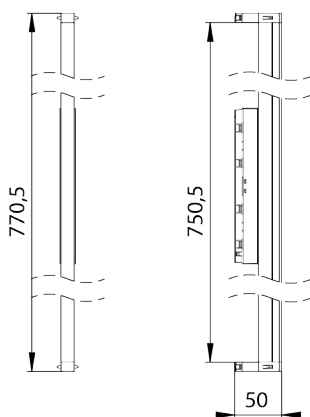
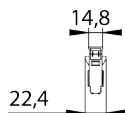
PRODUCT CODE / CODICE PRODOTTO

**M14750/B5-O-2-C**

DESCRIPTION / DESCRIZIONE

48V linear light module. For 9600C CORE11 tracks. Aluminum body. Polycarbonate opal screen. L(mm): 770.

48V linear light module. For 9600C CORE11 tracks. Aluminum body. Polycarbonate opal screen. L(mm): 770.



Certifications / Certificazioni



Technical info / Info tecniche



Other colour temperatures and CRI available upon request. All values marked with an (\*) are rated values. Unless stated otherwise, the values apply to an ambient temperature of 25°C.

Luminous flux is subject to a normal technology drop over time. A.A.G. Stucchi reserves the right to make technical changes without prior notice. Real power: ±10% tolerance

Other colour temperatures and CRI available upon request. All values marked with an (\*) are rated values. Unless stated otherwise, the values apply to an ambient temperature of 25°C.

Luminous flux is subject to a normal technology drop over time. A.A.G. Stucchi reserves the right to make technical changes without prior notice. Real power: ±10% tolerance

TECHNICAL DATA / DATI TECNICI

**Application** ON TRACK

**Real Flux(lm)** 1648

**Nominal Flux(lm)** 2340

**Real Power(W)** 13.1

**Efficiency(lm / W)** 125.8

**LED source** LED

**Colour Temperature(K)** 3000

**CRI** 90

**MacAdam** ≤ 3

**Beam Angle** 117,4°x109,2°

**UGR**

>30	X=4H Y=8H S=0.25H	
	Reflection factors:	70/50/20
	UGR transversal:	30,5
	UGR axial:	29,7

**Lifetime(Khr)** >60Khr L90B5

**Driver** DALI 2

**VF** ~ 24

**I LED(mA)** 500

**L(mm)** 771

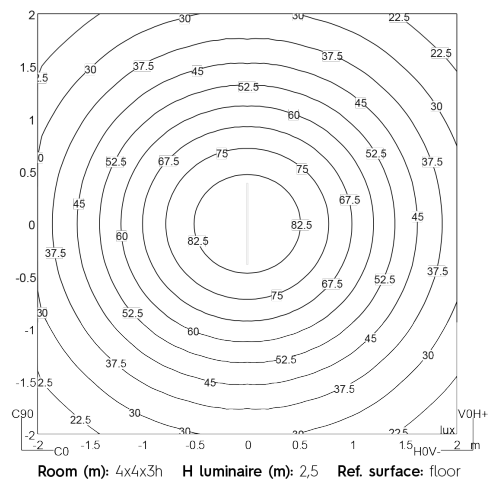
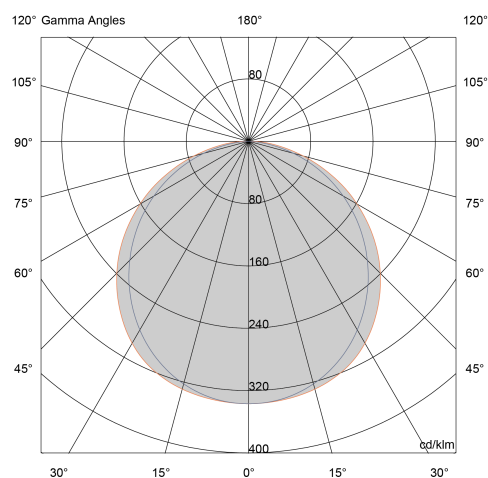
**Weight(g)** 0

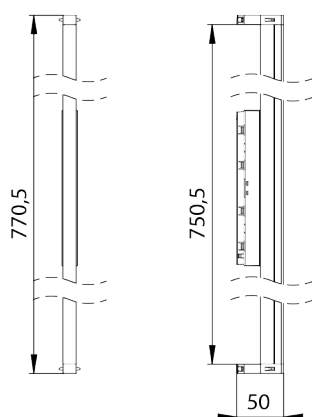
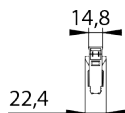
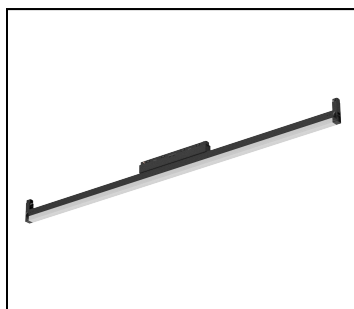
**Materials** Aluminium body + opal PMMA screen

**Colour** Nero

**Mounting** Mechanical

**Packaging** Tube





**Certifications / Certificazioni**



**Technical info / Info tecniche**



Other colour temperatures and CRI available upon request. All values marked with an (\*) are rated values. Unless stated otherwise, the values apply to an ambient temperature of 25°C.

Luminous flux is subject to a normal technology drop over time. A.A.G. Stucchi reserves the right to make technical changes without prior notice. Real power: ±10% tolerance

Other colour temperatures and CRI available upon request. All values marked with an (\*) are rated values. Unless stated otherwise, the values apply to an ambient temperature of 25°C.

Luminous flux is subject to a normal technology drop over time. A.A.G. Stucchi reserves the right to make technical changes without prior notice. Real power: ±10% tolerance

**SENZAFINE HE OPAL / SENZAFINE HE OPAL**

**PRODUCT CODE / CODICE PRODOTTO**

**M14750/B5-O-0-C**

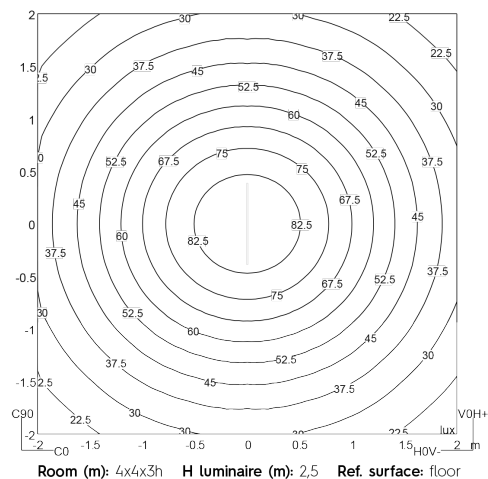
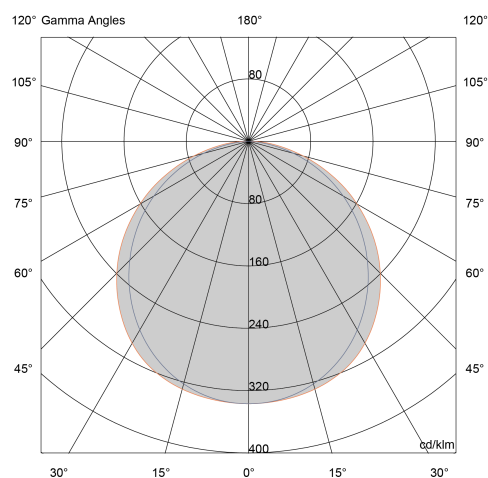
**DESCRIPTION / DESCRIZIONE**

48V linear light module. For 9600C CORE11 tracks. Aluminum body. Polycarbonate opal screen. L(mm): 770.

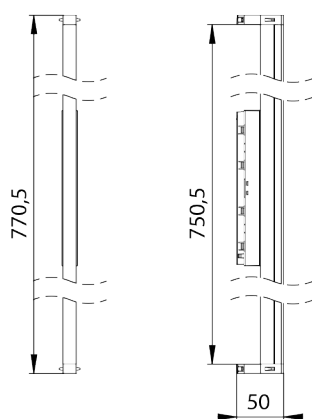
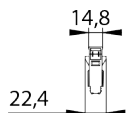
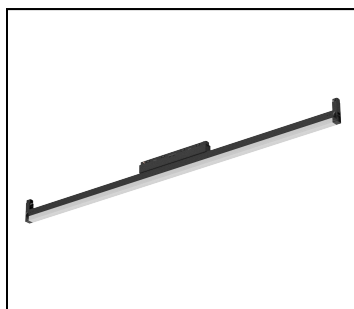
48V linear light module. For 9600C CORE11 tracks. Aluminum body. Polycarbonate opal screen. L(mm): 770.

**TECHNICAL DATA / DATI TECNICI**

<b>Application</b>	ON TRACK									
<b>Real Flux(lm)</b>	1648									
<b>Nominal Flux(lm)</b>	2340									
<b>Real Power(W)</b>	13.1									
<b>Efficiency(lm / W)</b>	125.8									
<b>LED source</b>	LED									
<b>Colour Temperature(K)</b>	3000									
<b>CRI</b>	90									
<b>MacAdam</b>	≤ 3									
<b>Beam Angle</b>	117,4°x109,2°									
<b>UGR</b>	<table border="1"> <tr> <td>&gt;30</td> <td>X=4H Y=8H S=0.25H</td> <td>Reflection factors: 70/50/20</td> </tr> <tr> <td></td> <td></td> <td>UGR transversal: 30,5</td> </tr> <tr> <td></td> <td></td> <td>UGR axial: 29,7</td> </tr> </table>	>30	X=4H Y=8H S=0.25H	Reflection factors: 70/50/20			UGR transversal: 30,5			UGR axial: 29,7
>30	X=4H Y=8H S=0.25H	Reflection factors: 70/50/20								
		UGR transversal: 30,5								
		UGR axial: 29,7								
<b>Lifetime(Khr)</b>	>60Khr L90B5									
<b>Driver</b>	ON-OFF									
<b>VF</b>	~ 24									
<b>I LED(mA)</b>	500									
<b>L(mm)</b>	771									
<b>Weight(g)</b>	0									
<b>Materials</b>	Aluminium body + opal PMMA screen									
<b>Colour</b>	Nero									
<b>Mounting</b>	Mechanical									
<b>Packaging</b>	Tube									



Room (m): 4x4x3m H luminaire (m): 2,5 Ref. surface: floor



**Technical info / Info tecniche**



Other colour temperatures and CRI available upon request. All values marked with an (\*) are rated values. Unless stated otherwise, the values apply to an ambient temperature of 25°C.

Luminous flux is subject to a normal technology drop over time. A.A.G. Stucchi reserves the right to make technical changes without prior notice. Real power: ±10% tolerance

Other colour temperatures and CRI available upon request. All values marked with an (\*) are rated values. Unless stated otherwise, the values apply to an ambient temperature of 25°C.

Luminous flux is subject to a normal technology drop over time. A.A.G. Stucchi reserves the right to make technical changes without prior notice. Real power: ±10% tolerance

**SENZAFINE HE OPAL / SENZAFINE HE OPAL**

**PRODUCT CODE / CODICE PRODOTTO**

**M14750/B5-O-9-C**

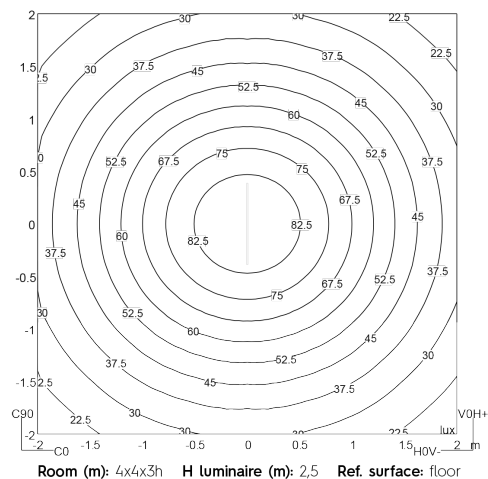
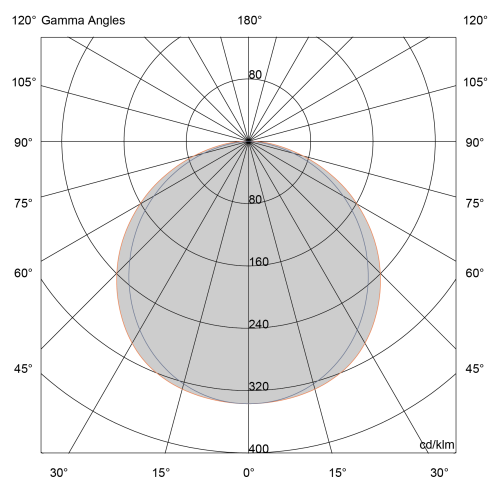
**DESCRIPTION / DESCRIZIONE**

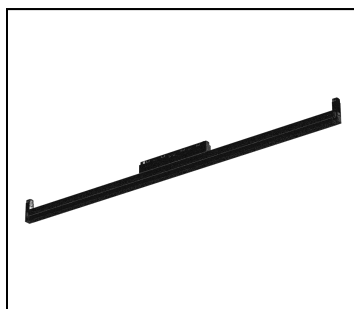
48V linear light module. For 9600C CORE11 tracks. Aluminum body. Polycarbonate opal screen. L(mm): 770.

48V linear light module. For 9600C CORE11 tracks. Aluminum body. Polycarbonate opal screen. L(mm): 770.

**TECHNICAL DATA / DATI TECNICI**

<b>Application</b>	ON TRACK						
<b>LED source</b>	LED						
<b>Colour Temperature(K)</b>	3000						
<b>CRI</b>	90						
<b>MacAdam</b>	≤ 3						
<b>Beam Angle</b>	117,4°x109,2°						
<b>UGR</b>	<table border="1"> <tr> <td>&gt;30</td> <td>X=4H Y=8H</td> <td>S=0.25H</td> </tr> <tr> <td colspan="3">Reflection factors: 70/50/20</td> </tr> </table>	>30	X=4H Y=8H	S=0.25H	Reflection factors: 70/50/20		
>30	X=4H Y=8H	S=0.25H					
Reflection factors: 70/50/20							
<b>Driver</b>	NO DRIVER						
<b>L(mm)</b>	771						
<b>Weight(g)</b>	0						
<b>Materials</b>	Aluminium body + opal PMMA screen						
<b>Colour</b>	Nero						
<b>Mounting</b>	Mechanical						
<b>Packaging</b>	Tube						





## SENZAFINE HE OPAL / SENZAFINE HE OPAL

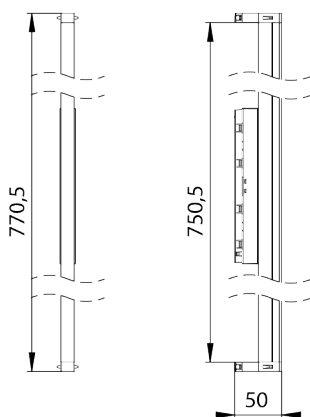
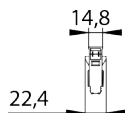
PRODUCT CODE / CODICE PRODOTTO

**M14750/W5-O-2-C**

DESCRIPTION / DESCRIZIONE

48V linear light module. For 9600C CORE11 tracks. Aluminum body. Polycarbonate opal screen. L(mm): 770.

48V linear light module. For 9600C CORE11 tracks. Aluminum body. Polycarbonate opal screen. L(mm): 770.



Certifications / Certificazioni



Technical info / Info tecniche



Other colour temperatures and CRI available upon request. All values marked with an (\*) are rated values. Unless stated otherwise, the values apply to an ambient temperature of 25°C.

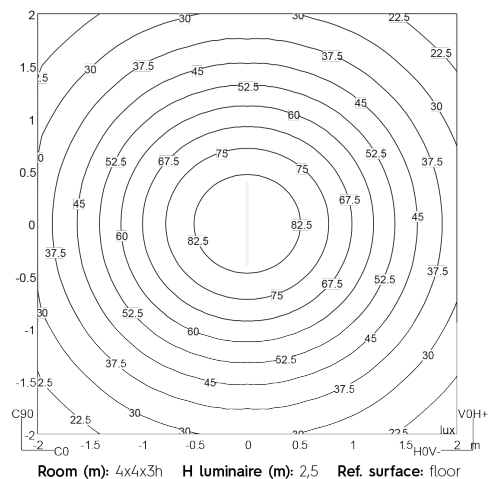
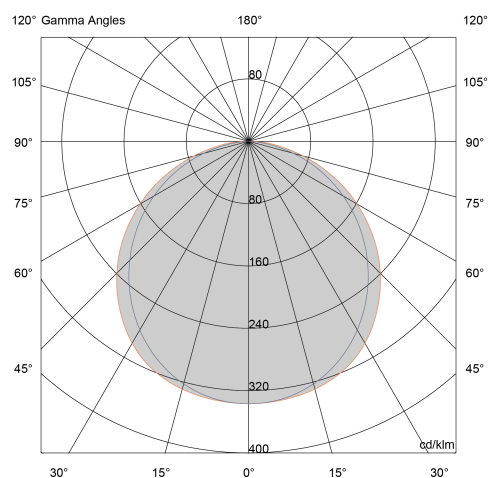
Luminous flux is subject to a normal technology drop over time. A.A.G. Stucchi reserves the right to make technical changes without prior notice. Real power: ±10% tolerance

Other colour temperatures and CRI available upon request. All values marked with an (\*) are rated values. Unless stated otherwise, the values apply to an ambient temperature of 25°C.

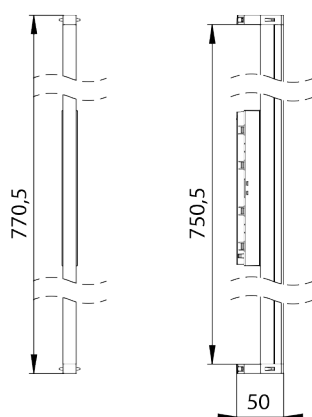
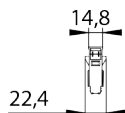
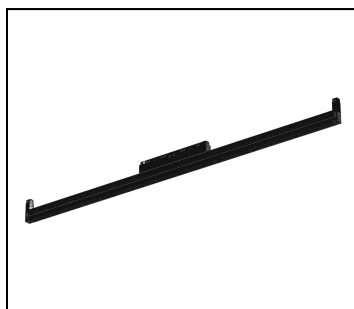
Luminous flux is subject to a normal technology drop over time. A.A.G. Stucchi reserves the right to make technical changes without prior notice. Real power: ±10% tolerance

TECHNICAL DATA / DATI TECNICI

<b>Application</b>	ON TRACK									
<b>Real Flux(lm)</b>	1648									
<b>Nominal Flux(lm)</b>	2340									
<b>Real Power(W)</b>	13.1									
<b>Efficiency(lm / W)</b>	125.8									
<b>LED source</b>	LED									
<b>Colour Temperature(K)</b>	3000									
<b>CRI</b>	90									
<b>MacAdam</b>	≤ 3									
<b>Beam Angle</b>	117,4°x109,2°									
<b>UGR</b>	<table border="1"> <tr> <td>&gt;30</td> <td>X=4H Y=8H S=0.25H</td> <td>Reflection factors: 70/50/20</td> </tr> <tr> <td></td> <td></td> <td>UGR transversal: 30,5</td> </tr> <tr> <td></td> <td></td> <td>UGR axial: 29,7</td> </tr> </table>	>30	X=4H Y=8H S=0.25H	Reflection factors: 70/50/20			UGR transversal: 30,5			UGR axial: 29,7
>30	X=4H Y=8H S=0.25H	Reflection factors: 70/50/20								
		UGR transversal: 30,5								
		UGR axial: 29,7								
<b>Lifetime(Khr)</b>	>60Khr L90B5									
<b>Driver</b>	DALI 2									
<b>VF</b>	~ 24									
<b>I LED(mA)</b>	500									
<b>L(mm)</b>	771									
<b>Weight(g)</b>	0									
<b>Materials</b>	Aluminium body + opal PMMA screen									
<b>Colour</b>	Bianco									
<b>Mounting</b>	Mechanical									
<b>Packaging</b>	Tube									



Room (m): 4x4x3m H luminaire (m): 2,5 Ref. surface: floor



**Certifications / Certificazioni**



**Technical info / Info tecniche**



Other colour temperatures and CRI available upon request. All values marked with an (\*) are rated values. Unless stated otherwise, the values apply to an ambient temperature of 25°C.

Luminous flux is subject to a normal technology drop over time. A.A.G. Stucchi reserves the right to make technical changes without prior notice. Real power: ±10% tolerance

Other colour temperatures and CRI available upon request. All values marked with an (\*) are rated values. Unless stated otherwise, the values apply to an ambient temperature of 25°C.

Luminous flux is subject to a normal technology drop over time. A.A.G. Stucchi reserves the right to make technical changes without prior notice. Real power: ±10% tolerance

**SENZAFINE HE OPAL / SENZAFINE HE OPAL**

**PRODUCT CODE / CODICE PRODOTTO**

**M14750/W5-O-0-C**

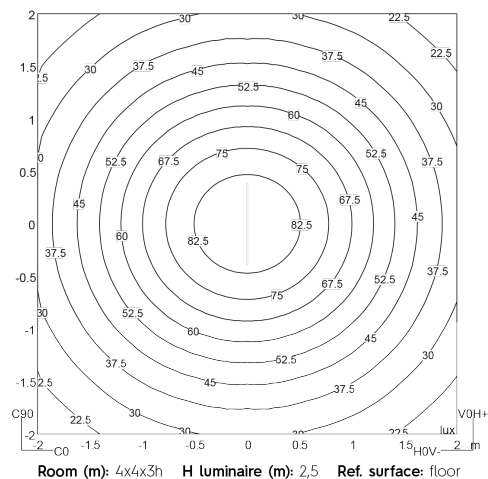
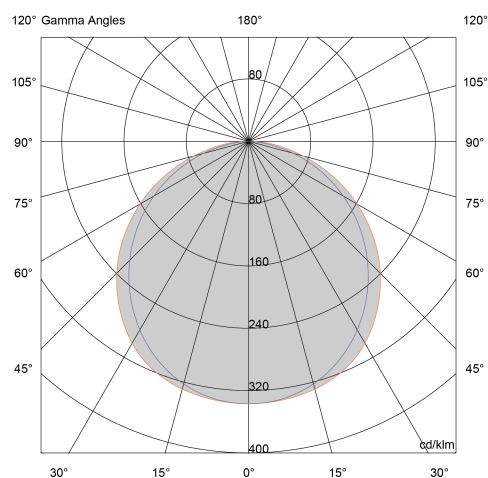
**DESCRIPTION / DESCRIZIONE**

48V linear light module. For 9600C CORE11 tracks. Aluminum body. Polycarbonate opal screen. L(mm): 770.

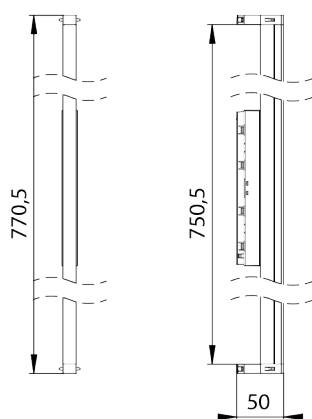
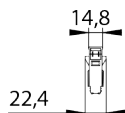
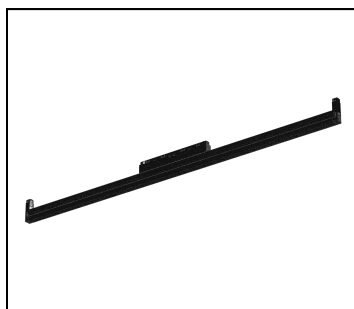
48V linear light module. For 9600C CORE11 tracks. Aluminum body. Polycarbonate opal screen. L(mm): 770.

**TECHNICAL DATA / DATI TECNICI**

<b>Application</b>	ON TRACK									
<b>Real Flux(lm)</b>	1648									
<b>Nominal Flux(lm)</b>	2340									
<b>Real Power(W)</b>	13.1									
<b>Efficiency(lm / W)</b>	125.8									
<b>LED source</b>	LED									
<b>Colour Temperature(K)</b>	3000									
<b>CRI</b>	90									
<b>MacAdam</b>	≤ 3									
<b>Beam Angle</b>	117,4°x109,2°									
<b>UGR</b>	<table border="1"> <tr> <td>&gt;30</td> <td>X=4H Y=8H S=0.25H</td> <td>Reflection factors: 70/50/20</td> </tr> <tr> <td></td> <td></td> <td>UGR transversal: 30,5</td> </tr> <tr> <td></td> <td></td> <td>UGR axial: 29,7</td> </tr> </table>	>30	X=4H Y=8H S=0.25H	Reflection factors: 70/50/20			UGR transversal: 30,5			UGR axial: 29,7
>30	X=4H Y=8H S=0.25H	Reflection factors: 70/50/20								
		UGR transversal: 30,5								
		UGR axial: 29,7								
<b>Lifetime(Khr)</b>	>60Khr L90B5									
<b>Driver</b>	ON-OFF									
<b>VF</b>	~ 24									
<b>I LED(mA)</b>	500									
<b>L(mm)</b>	771									
<b>Weight(g)</b>	0									
<b>Materials</b>	Aluminium body + opal PMMA screen									
<b>Colour</b>	Bianco									
<b>Mounting</b>	Mechanical									
<b>Packaging</b>	Tube									



Room (m): 4x4x3m H luminaire (m): 2,5 Ref. surface: floor



**Technical info / Info tecniche**

48V

IP20

Other colour temperatures and CRI available upon request. All values marked with an (\*) are rated values. Unless stated otherwise, the values apply to an ambient temperature of 25°C.

Luminous flux is subject to a normal technology drop over time. A.A.G. Stucchi reserves the right to make technical changes without prior notice. Real power: ±10% tolerance

Other colour temperatures and CRI available upon request. All values marked with an (\*) are rated values. Unless stated otherwise, the values apply to an ambient temperature of 25°C.

Luminous flux is subject to a normal technology drop over time. A.A.G. Stucchi reserves the right to make technical changes without prior notice. Real power: ±10% tolerance

**SENZAFINE HE OPAL / SENZAFINE HE OPAL**

**PRODUCT CODE / CODICE PRODOTTO**

**M14750/W5-O-9-C**

**DESCRIPTION / DESCRIZIONE**

48V linear light module. For 9600C CORE11 tracks. Aluminum body. Polycarbonate opal screen. L(mm): 770.

48V linear light module. For 9600C CORE11 tracks. Aluminum body. Polycarbonate opal screen. L(mm): 770.

**TECHNICAL DATA / DATI TECNICI**

**Application** ON TRACK

**LED source** LED

**Colour Temperature(K)** 3000

**CRI** 90

**MacAdam** ≤ 3

**Beam Angle** 117,4°x109,2°

**UGR** >30

X=4H Y=8H	S=0.25H
Reflection factors: 70/50/20	

**Driver** NO DRIVER

**L(mm)** 771

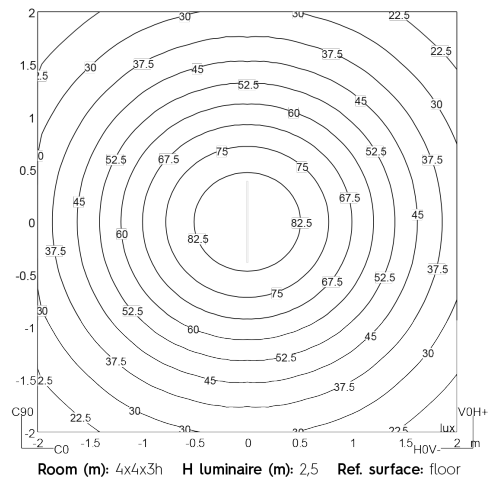
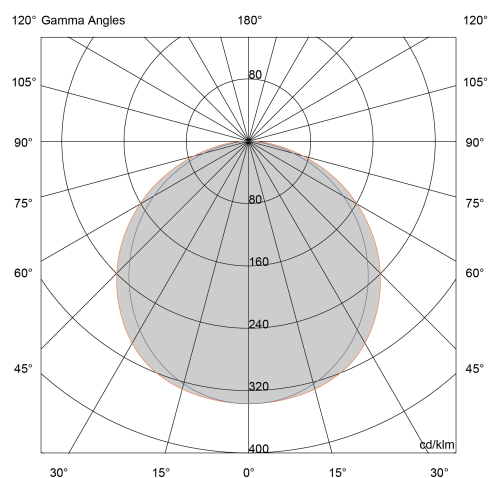
**Weight(g)** 0

**Materials** Aluminium body + opal PMMA screen

**Colour** Bianco

**Mounting** Mechanical

**Packaging** Tube



Room (m): 4x4x3m H luminaire (m): 2,5 Ref. surface: floor