

SENZAFINE HE LENS / SENZAFINE HE LENS

PRODUCT CODE / CODICE PRODOTTO

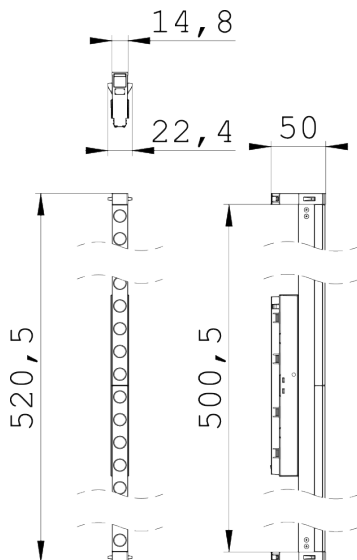
M14500/B5-C-2-C

DESCRIPTION / DESCRIZIONE

48V linear light module. For 9600C CORE11 tracks. Aluminum body. PMMA Lens 37°. Polycarbonate cover. L(mm): 520.

48V linear light module. For 9600C CORE11 tracks. Aluminum body. PMMA Lens 37°. Polycarbonate cover. L(mm): 520.

TECHNICAL DATA / DATI TECNICI



Certifications / Certificazioni



Technical info / Info tecniche



Other colour temperatures and CRI available upon request. All values marked with an (*) are rated values. Unless stated otherwise, the values apply to an ambient temperature of 25°C.

Luminous flux is subject to a normal technology drop over time. A.A.G. Stucchi reserves the right to make technical changes without prior notice. Real power: ±10% tolerance

Other colour temperatures and CRI available upon request. All values marked with an (*) are rated values. Unless stated otherwise, the values apply to an ambient temperature of 25°C.

Luminous flux is subject to a normal technology drop over time. A.A.G. Stucchi reserves the right to make technical changes without prior notice. Real power: ±10% tolerance

Application ON TRACK

Real Flux(lm) 1106

Nominal Flux(lm) 1330

Real Power(W) 11.5

Efficiency(lm / W) 96.2

LED source LED

Colour Temperature(K) 3000

CRI 90

MacAdam ≤ 3

Beam Angle 37,2°x36,6°

UGR

<13	X=4H Y=8H S=0.25H	
	Reflection factors:	70/50/20
	UGR transversal:	11.3
	UGR axial:	11

Lifetime(Khr) >60Khr L90B5

Driver DALI 2

VF ~ 17

I LED(mA) 600

L(mm) 521

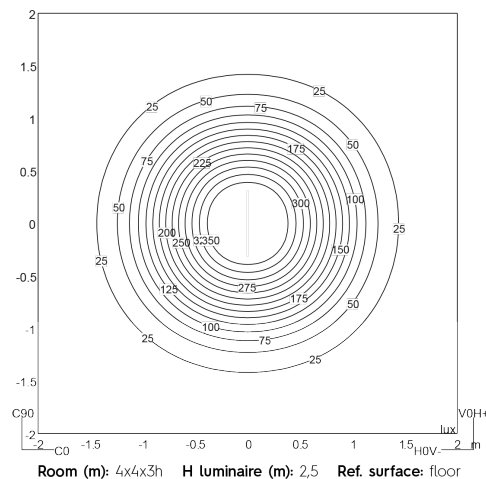
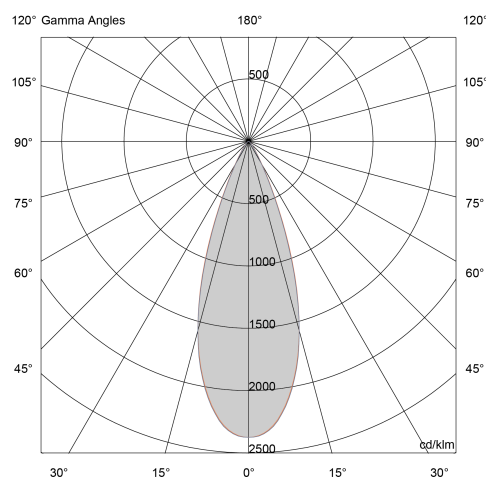
Weight(g) 0

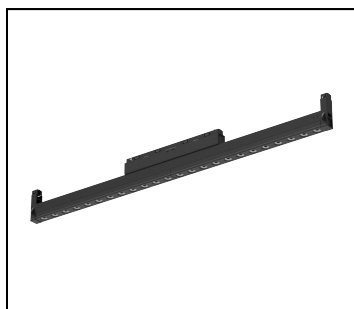
Materials Aluminium body + PMMA lenses + polycarbonate covers

Colour Nero

Mounting Mechanical

Packaging Tube





SENZAFINE HE LENS / SENZAFINE HE LENS

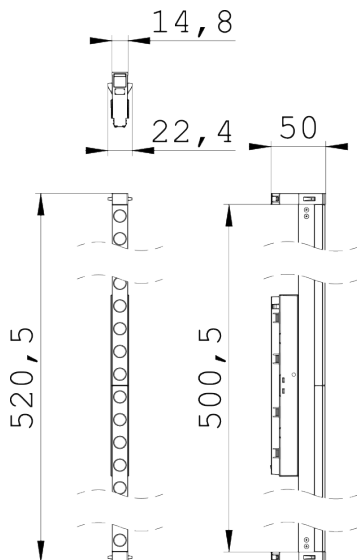
PRODUCT CODE / CODICE PRODOTTO

M14500/B5-C-0-C

DESCRIPTION / DESCRIZIONE

48V linear light module. For 9600C CORE11 tracks. Aluminum body. PMMA Lens 37°. Polycarbonate cover. L(mm): 520.

48V linear light module. For 9600C CORE11 tracks. Aluminum body. PMMA Lens 37°. Polycarbonate cover. L(mm): 520.



TECHNICAL DATA / DATI TECNICI

Application ON TRACK

Real Flux(lm) 1106

Nominal Flux(lm) 1330

Real Power(W) 11.5

Efficiency(lm / W) 96.2

LED source LED

Colour Temperature(K) 3000

CRI 90

MacAdam ≤ 3

Beam Angle 37,2°x36,6°

UGR

<13	X=4H Y=8H	S=0.25H
	Reflection factors:	70/50/20
	UGR transversal:	11.3
	UGR axial:	11

Lifetime(Khr) >60Khr L90B5

Driver ON-OFF

VF ~ 17

I LED(mA) 600

L(mm) 521

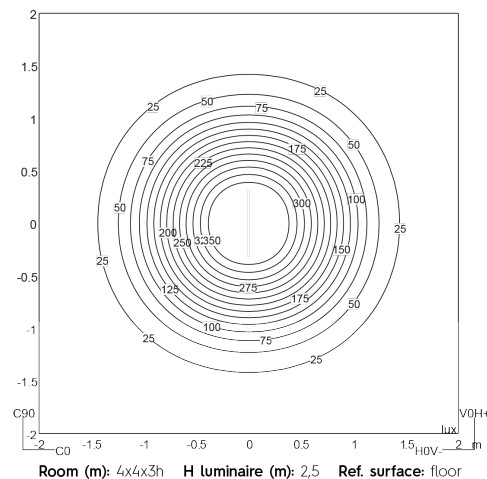
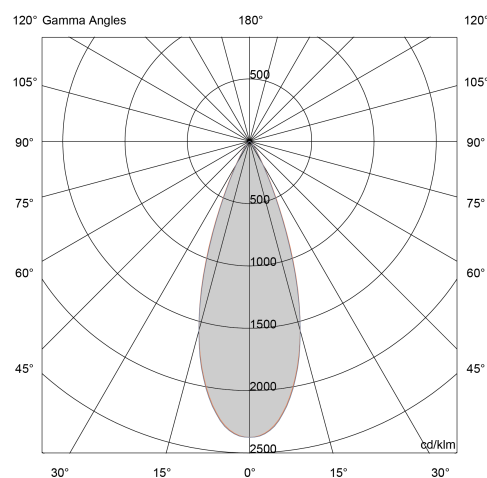
Weight(g) 0

Materials Aluminium body + PMMA lenses + polycarbonate covers

Colour Nero

Mounting Mechanical

Packaging Tube



Certifications / Certificazioni



Technical info / Info tecniche

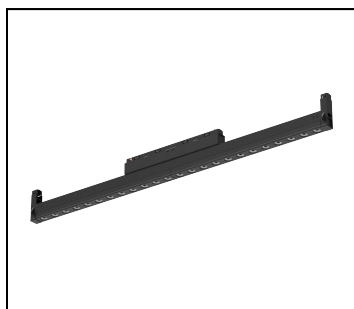


Other colour temperatures and CRI available upon request. All values marked with an (*) are rated values. Unless stated otherwise, the values apply to an ambient temperature of 25°C.

Luminous flux is subject to a normal technology drop over time. A.A.G. Stucchi reserves the right to make technical changes without prior notice. Real power: ±10% tolerance

Other colour temperatures and CRI available upon request. All values marked with an (*) are rated values. Unless stated otherwise, the values apply to an ambient temperature of 25°C.

Luminous flux is subject to a normal technology drop over time. A.A.G. Stucchi reserves the right to make technical changes without prior notice. Real power: ±10% tolerance



SENZAFINE HE LENS / SENZAFINE HE LENS

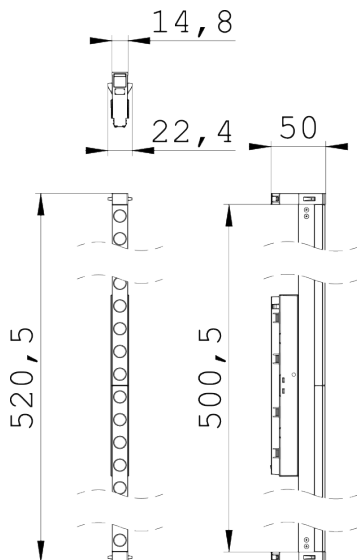
PRODUCT CODE / CODICE PRODOTTO

M14500/B5-C-9-C

DESCRIPTION / DESCRIZIONE

48V linear light module. For 9600C CORE11 tracks. Aluminum body. PMMA Lens 37°. Polycarbonate cover. L(mm): 520.

48V linear light module. For 9600C CORE11 tracks. Aluminum body. PMMA Lens 37°. Polycarbonate cover. L(mm): 520.



TECHNICAL DATA / DATI TECNICI

Application ON TRACK

LED source LED

Colour Temperature(K) 3000

CRI 90

MacAdam ≤ 3

Beam Angle 37,2°x36,6°

UGR <13

X=4H	Y=8H	S=0.25H
Reflection factors:		70/50/20

Driver NO DRIVER

L(mm) 521

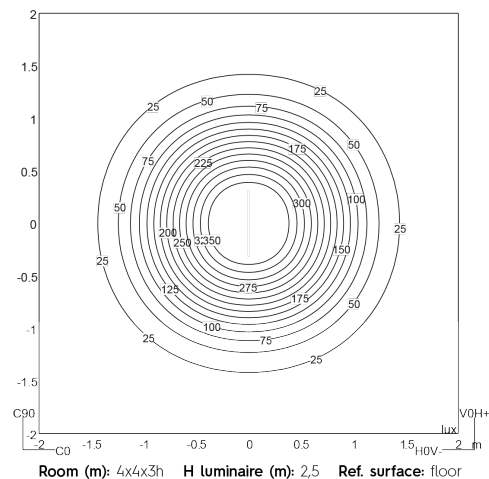
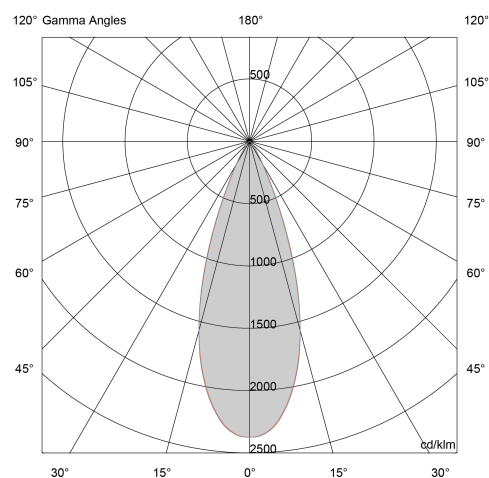
Weight(g) 0

Materials Aluminium body + PMMA lenses + polycarbonate covers

Colour Nero

Mounting Mechanical

Packaging Tube



Technical info / Info tecniche

48V

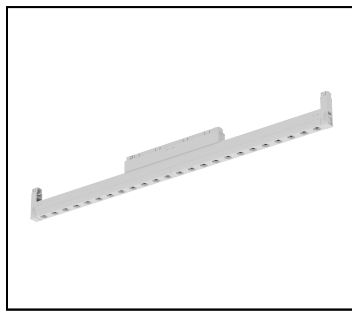
IP20

Other colour temperatures and CRI available upon request. All values marked with an (*) are rated values. Unless stated otherwise, the values apply to an ambient temperature of 25°C.

Luminous flux is subject to a normal technology drop over time. A.A.G. Stucchi reserves the right to make technical changes without prior notice. Real power: ±10% tolerance

Other colour temperatures and CRI available upon request. All values marked with an (*) are rated values. Unless stated otherwise, the values apply to an ambient temperature of 25°C.

Luminous flux is subject to a normal technology drop over time. A.A.G. Stucchi reserves the right to make technical changes without prior notice. Real power: ±10% tolerance



SENZAFINE HE LENS / SENZAFINE HE LENS

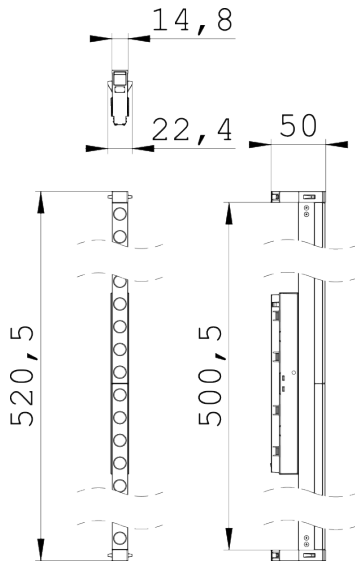
PRODUCT CODE / CODICE PRODOTTO

M14500/W5-C-2-C

DESCRIPTION / DESCRIZIONE

48V linear light module. For 9600C CORE11 tracks. Aluminum body. PMMA Lens 37°. Polycarbonate cover. L(mm): 520.

48V linear light module. For 9600C CORE11 tracks. Aluminum body. PMMA Lens 37°. Polycarbonate cover. L(mm): 520.



TECHNICAL DATA / DATI TECNICI

Application ON TRACK

Real Flux(lm) 1106

Nominal Flux(lm) 1330

Real Power(W) 11.5

Efficiency(lm / W) 96.2

LED source LED

Colour Temperature(K) 3000

CRI 90

MacAdam ≤ 3

Beam Angle 37,2°x36,6°

UGR

<13	X=4H Y=8H S=0.25H	
	Reflection factors:	70/50/20
	UGR transversal:	11.3
	UGR axial:	11

Lifetime(Khr) >60Khr L90B5

Driver DALI 2

VF ~ 17

I LED(mA) 600

L(mm) 521

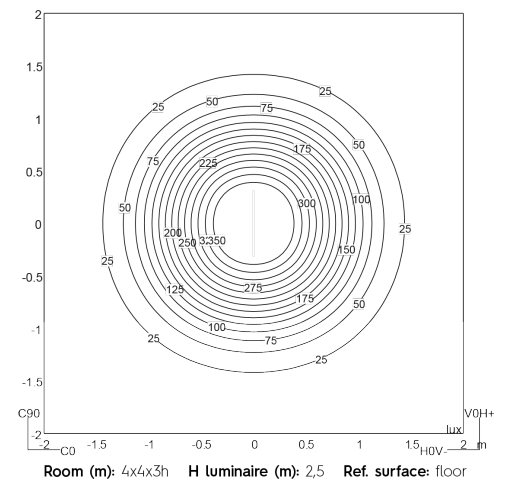
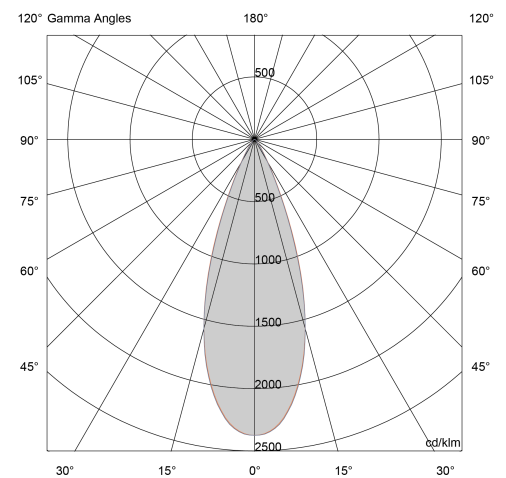
Weight(g) 0

Materials Aluminium body + PMMA lenses + polycarbonate covers

Colour Bianco

Mounting Mechanical

Packaging Tube



Certifications / Certificazioni



Technical info / Info tecniche

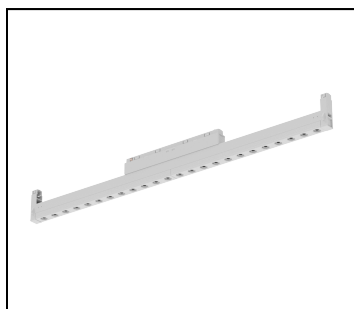


Other colour temperatures and CRI available upon request. All values marked with an (*) are rated values. Unless stated otherwise, the values apply to an ambient temperature of 25°C.

Luminous flux is subject to a normal technology drop over time. A.A.G. Stucchi reserves the right to make technical changes without prior notice. Real power: ±10% tolerance

Other colour temperatures and CRI available upon request. All values marked with an (*) are rated values. Unless stated otherwise, the values apply to an ambient temperature of 25°C.

Luminous flux is subject to a normal technology drop over time. A.A.G. Stucchi reserves the right to make technical changes without prior notice. Real power: ±10% tolerance



SENZAFINE HE LENS / SENZAFINE HE LENS

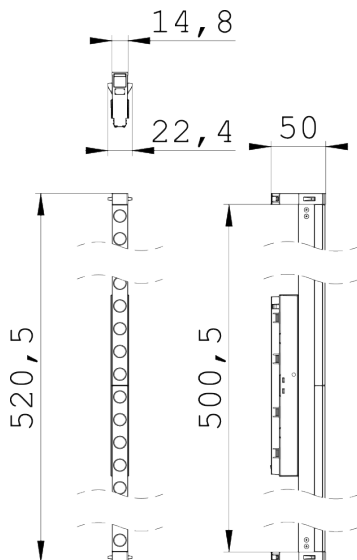
PRODUCT CODE / CODICE PRODOTTO

M14500/W5-C-0-C

DESCRIPTION / DESCRIZIONE

48V linear light module. For 9600C CORE11 tracks. Aluminum body. PMMA Lens 37°. Polycarbonate cover. L(mm): 520.

48V linear light module. For 9600C CORE11 tracks. Aluminum body. PMMA Lens 37°. Polycarbonate cover. L(mm): 520.



TECHNICAL DATA / DATI TECNICI

Application ON TRACK

Real Flux(lm) 1106

Nominal Flux(lm) 1330

Real Power(W) 11.5

Efficiency(lm / W) 96.2

LED source LED

Colour Temperature(K) 3000

CRI 90

MacAdam ≤ 3

Beam Angle 37,2°x36,6°

UGR

<13	X=4H Y=8H	S=0.25H
	Reflection factors:	70/50/20
	UGR transversal:	11.3
	UGR axial:	11

Lifetime(Khr) >60Khr L90B5

Driver ON-OFF

VF ~ 17

I LED(mA) 600

L(mm) 521

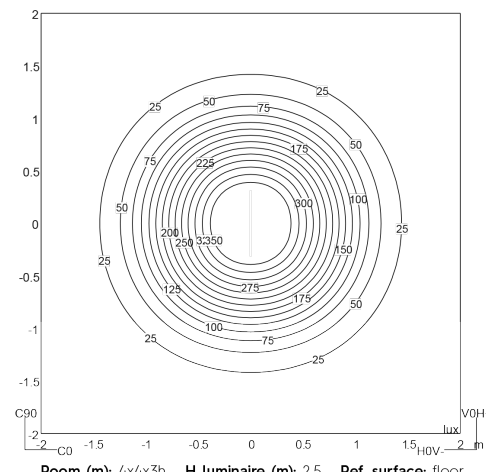
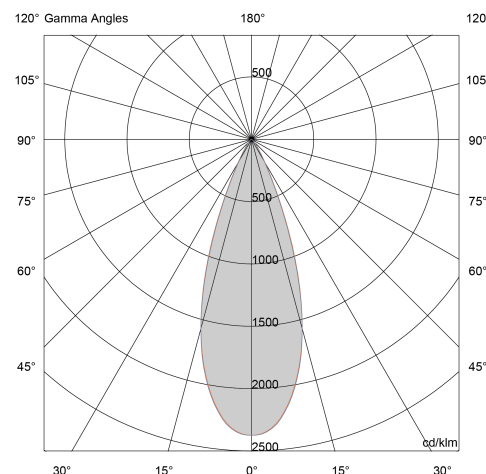
Weight(g) 0

Materials Aluminium body + PMMA lenses + polycarbonate covers

Colour Bianco

Mounting Mechanical

Packaging Tube



Certifications / Certificazioni



Technical info / Info tecniche

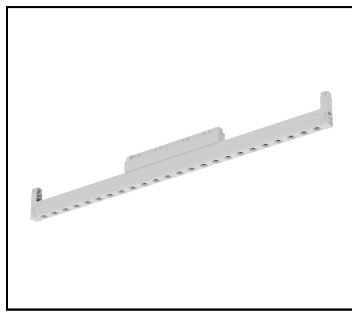


Other colour temperatures and CRI available upon request. All values marked with an (*) are rated values. Unless stated otherwise, the values apply to an ambient temperature of 25°C.

Luminous flux is subject to a normal technology drop over time. A.A.G. Stucchi reserves the right to make technical changes without prior notice. Real power: ±10% tolerance

Other colour temperatures and CRI available upon request. All values marked with an (*) are rated values. Unless stated otherwise, the values apply to an ambient temperature of 25°C.

Luminous flux is subject to a normal technology drop over time. A.A.G. Stucchi reserves the right to make technical changes without prior notice. Real power: ±10% tolerance



SENZAFINE HE LENS / SENZAFINE HE LENS

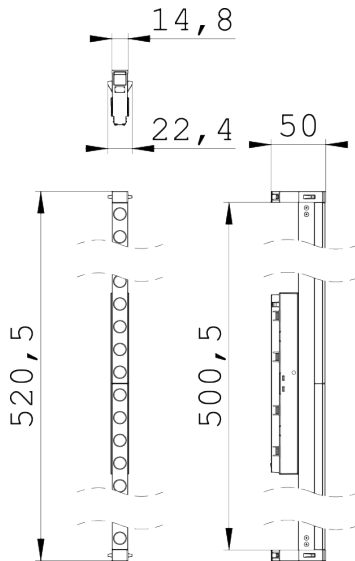
PRODUCT CODE / CODICE PRODOTTO

M14500/W5-C-9-C

DESCRIPTION / DESCRIZIONE

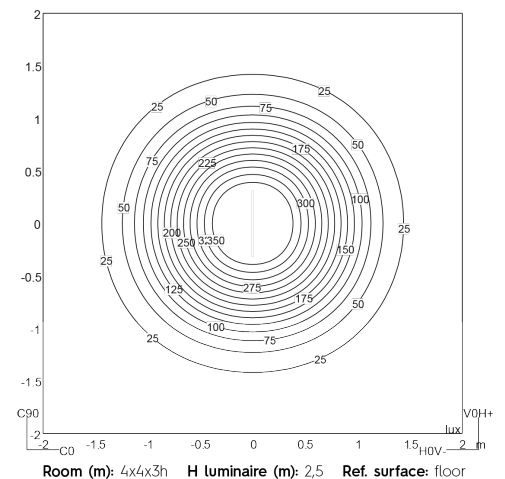
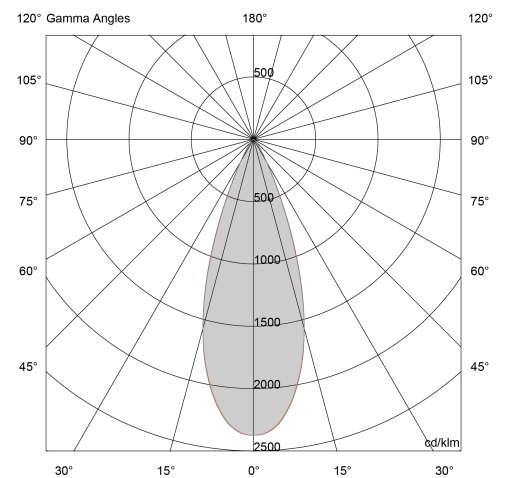
48V linear light module. For 9600C CORE11 tracks. Aluminum body. PMMA Lens 37°. Polycarbonate cover. L(mm): 520.

48V linear light module. For 9600C CORE11 tracks. Aluminum body. PMMA Lens 37°. Polycarbonate cover. L(mm): 520.



TECHNICAL DATA / DATI TECNICI

Application	ON TRACK						
LED source	LED						
Colour Temperature(K)	3000						
CRI	90						
MacAdam	≤ 3						
Beam Angle	37,2°x36,6°						
UGR	<table border="1"> <tr> <td><13</td> <td>X=4H Y=8H</td> <td>S=0.25H</td> </tr> <tr> <td colspan="3">Reflection factors: 70/50/20</td> </tr> </table>	<13	X=4H Y=8H	S=0.25H	Reflection factors: 70/50/20		
<13	X=4H Y=8H	S=0.25H					
Reflection factors: 70/50/20							
Driver	NO DRIVER						
L(mm)	521						
Weight(g)	0						
Materials	Aluminium body + PMMA lenses + polycarbonate covers						
Colour	Bianco						
Mounting	Mechanical						
Packaging	Tube						



Technical info / Info tecniche



Other colour temperatures and CRI available upon request. All values marked with an (*) are rated values. Unless stated otherwise, the values apply to an ambient temperature of 25°C.

Luminous flux is subject to a normal technology drop over time. A.A.G. Stucchi reserves the right to make technical changes without prior notice. Real power: ±10% tolerance

Other colour temperatures and CRI available upon request. All values marked with an (*) are rated values. Unless stated otherwise, the values apply to an ambient temperature of 25°C.

Luminous flux is subject to a normal technology drop over time. A.A.G. Stucchi reserves the right to make technical changes without prior notice. Real power: ±10% tolerance