



## CLIC SPOT F41 CORE11 / CLIC SPOT F41 CORE11

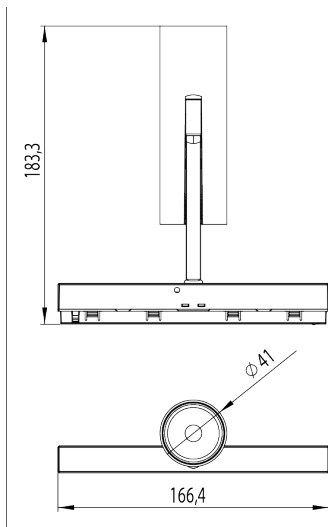
PRODUCT CODE / CODICE PRODOTTO

**F41/B6-A-0-C**

DESCRIPTION / DESCRIZIONE

48V spot. For 9600C CORE11 tracks. Aluminum body. PMMA Lens 18°. Ø41x176mm.

48V spot. For 9600C CORE11 tracks. Aluminum body. PMMA Lens 18°. Ø41x176mm.



TECHNICAL DATA / DATI TECNICI

**Application** ON TRACK

**Real Flux(lm)** 734.23

**Nominal Flux(lm)** 955.7

**Real Power(W)** 9.1

**Efficiency(lm / W)** 80.7

**LED source** LED

**Colour Temperature(K)** 4000

**CRI** 90

**MacAdam** ≤ 3

**Beam Angle** 17,4°

**UGR**

≤ 16	X=4H Y=8H S=0.25H	
	Reflection factors:	70/50/20
	UGR transversal:	14.2
	UGR axial:	14.2

**Lifetime(Khr)** >60Khr L85B5

**Driver** ON-OFF

**VF** ~ 35

**I LED(mA)** 250

**L(mm)** 0

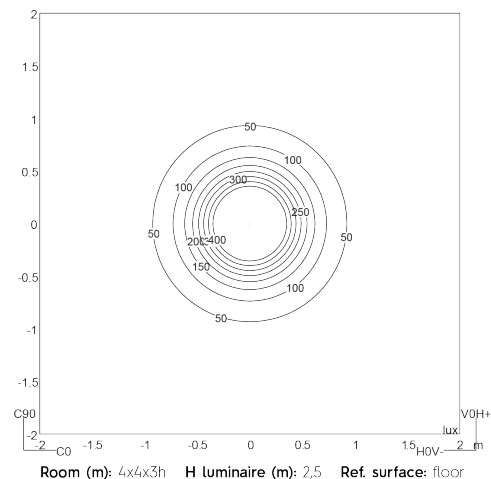
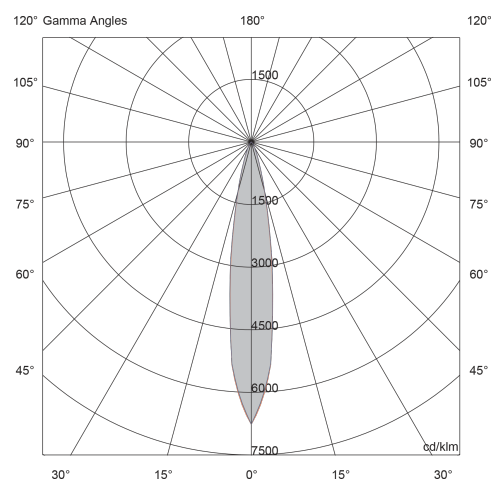
**Weight(g)** 212

**Materials** Aluminium body + PMMA lens + polycarbonate antiglare

**Colour** Nero

**Mounting** Mechanical

**Packaging** Cardboard box



Certifications / Certificazioni



Technical info / Info tecniche



Other colour temperatures and CRI available upon request. All values marked with an (\*) are rated values. Unless stated otherwise, the values apply to an ambient temperature of 25°C.

Luminous flux is subject to a normal technology drop over time. A.A.G. Stucchi reserves the right to make technical changes without prior notice. Real power: ±10% tolerance

Other colour temperatures and CRI available upon request. All values marked with an (\*) are rated values. Unless stated otherwise, the values apply to an ambient temperature of 25°C.

Luminous flux is subject to a normal technology drop over time. A.A.G. Stucchi reserves the right to make technical changes without prior notice. Real power: ±10% tolerance



**CLIC SPOT F41 CORE11 / CLIC SPOT F41 CORE11**

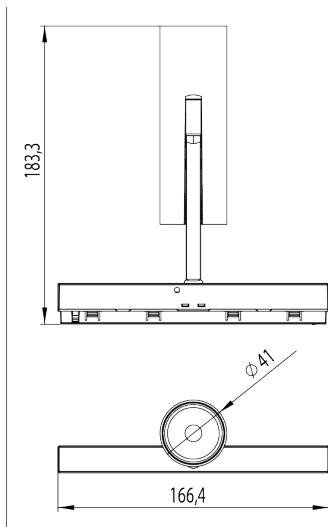
**PRODUCT CODE / CODICE PRODOTTO**

**F41/B6-A-2-C**

**DESCRIPTION / DESCRIZIONE**

48V spot. For 9600C CORE11 tracks. Aluminum body. PMMA Lens 18°. Ø41x176mm.

48V spot. For 9600C CORE11 tracks. Aluminum body. PMMA Lens 18°. Ø41x176mm.



**TECHNICAL DATA / DATI TECNICI**

**Application** ON TRACK

**Real Flux(lm)** 734.23

**Nominal Flux(lm)** 955.7

**Real Power(W)** 9.1

**Efficiency(lm / W)** 80.7

**LED source** LED

**Colour Temperature(K)** 4000

**CRI** 90

**MacAdam** ≤ 3

**Beam Angle** 17,4°

**UGR**

≤ 16	X=4H Y=8H S=0.25H	
	Reflection factors:	70/50/20
	UGR transversal:	14.2
	UGR axial:	14.2

**Lifetime(Khr)** >60Khr L85B5

**Driver** DALI 2

**VF** ~ 35

**I LED(mA)** 250

**L(mm)** 0

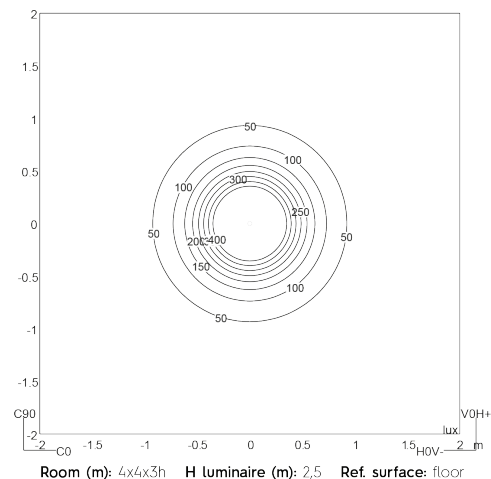
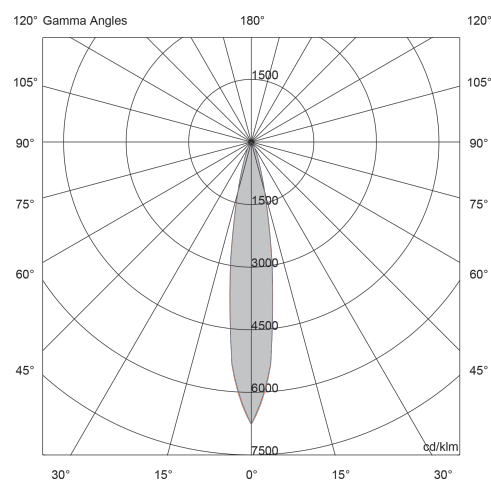
**Weight(g)** 218

**Materials** Aluminium body + PMMA lens + polycarbonate antiglare

**Colour** Nero

**Mounting** Mechanical

**Packaging** Cardboard box



**Certifications / Certificazioni**



**Technical info / Info tecniche**



Other colour temperatures and CRI available upon request. All values marked with an (\*) are rated values. Unless stated otherwise, the values apply to an ambient temperature of 25°C.

Luminous flux is subject to a normal technology drop over time. A.A.G. Stucchi reserves the right to make technical changes without prior notice. Real power: ±10% tolerance

Other colour temperatures and CRI available upon request. All values marked with an (\*) are rated values. Unless stated otherwise, the values apply to an ambient temperature of 25°C.

Luminous flux is subject to a normal technology drop over time. A.A.G. Stucchi reserves the right to make technical changes without prior notice. Real power: ±10% tolerance



**CLIC SPOT F41 CORE11 / CLIC SPOT F41 CORE11**

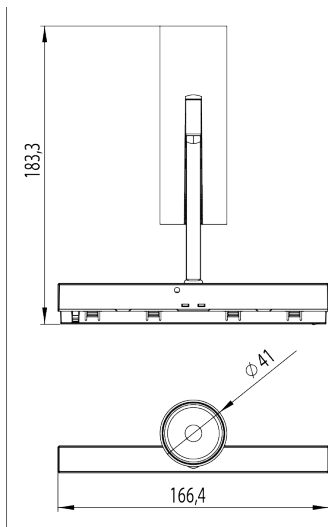
PRODUCT CODE / CODICE PRODOTTO

**F41/B6-A-5-C**

DESCRIPTION / DESCRIZIONE

48V spot. For 9600C CORE11 tracks. Aluminum body. PMMA Lens 18°. Ø41x176mm.

48V spot. For 9600C CORE11 tracks. Aluminum body. PMMA Lens 18°. Ø41x176mm.



TECHNICAL DATA / DATI TECNICI

**Application** ON TRACK

**Real Flux(lm)** 734.23

**Nominal Flux(lm)** 955.7

**Real Power(W)** 9.1

**Efficiency(lm / W)** 80.7

**LED source** LED

**Colour Temperature(K)** 4000

**CRI** 90

**MacAdam** ≤ 3

**Beam Angle** 17,4°

**UGR**

≤ 16	X=4H Y=8H S=0.25H	
	Reflection factors:	70/50/20
	UGR transversal:	14.2
	UGR axial:	14.2

**Lifetime(Khr)** >60Khr L85B5

**Driver** CASAMBI

**VF** ~ 35

**I LED(mA)** 250

**L(mm)** 0

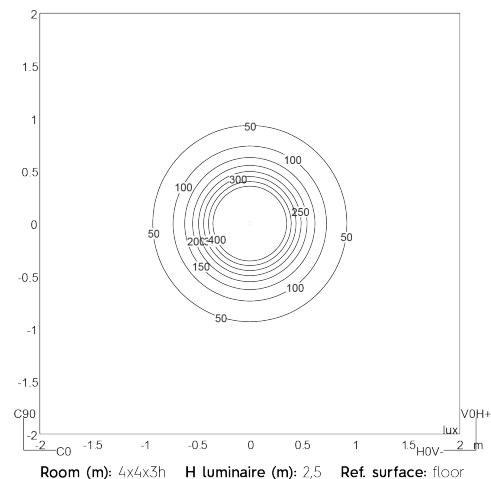
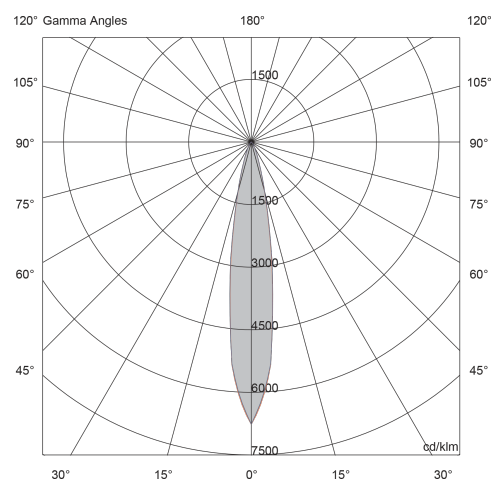
**Weight(g)** 215

**Materials** Aluminium body + PMMA lens + polycarbonate antiglare

**Colour** Nero

**Mounting** Mechanical

**Packaging** Cardboard box



Certifications / Certificazioni



Technical info / Info tecniche



Other colour temperatures and CRI available upon request. All values marked with an (\*) are rated values. Unless stated otherwise, the values apply to an ambient temperature of 25°C.

Luminous flux is subject to a normal technology drop over time. A.A.G. Stucchi reserves the right to make technical changes without prior notice. Real power: ±10% tolerance

Other colour temperatures and CRI available upon request. All values marked with an (\*) are rated values. Unless stated otherwise, the values apply to an ambient temperature of 25°C.

Luminous flux is subject to a normal technology drop over time. A.A.G. Stucchi reserves the right to make technical changes without prior notice. Real power: ±10% tolerance



**CLIC SPOT F41 CORE11 / CLIC SPOT F41 CORE11**

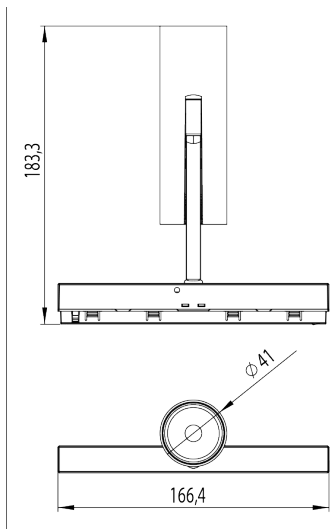
**PRODUCT CODE / CODICE PRODOTTO**

**F41/B6-A-9-C**

**DESCRIPTION / DESCRIZIONE**

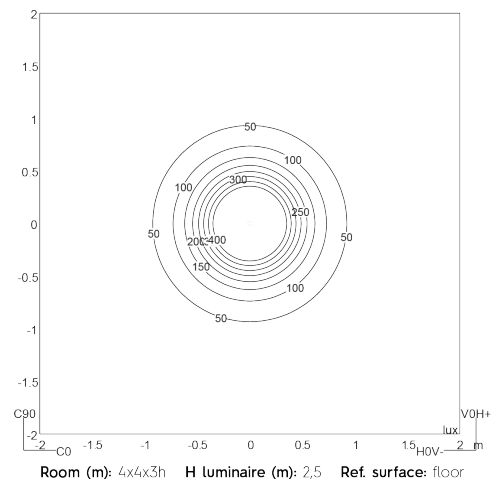
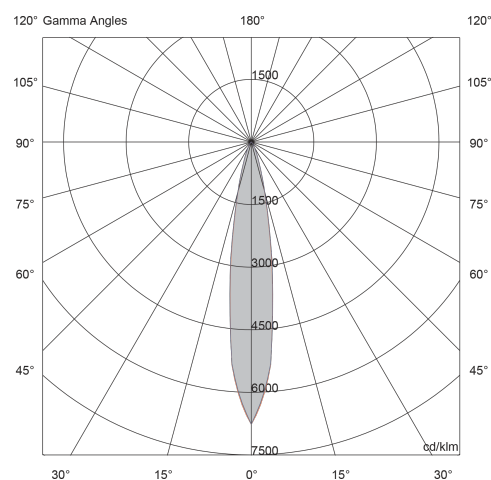
48V spot. For 9600C CORE11 tracks. Aluminum body. PMMA Lens 18°. Ø41x176mm.

48V spot. For 9600C CORE11 tracks. Aluminum body. PMMA Lens 18°. Ø41x176mm.



**TECHNICAL DATA / DATI TECNICI**

<b>Application</b>	ON TRACK
<b>LED source</b>	LED
<b>Colour Temperature(K)</b>	4000
<b>CRI</b>	90
<b>MacAdam</b>	≤ 3
<b>Beam Angle</b>	17,4°
<b>UGR</b>	≤ 16
	X=4H Y=8H S=0.25H
	Reflection factors: 70/50/20
<b>Driver</b>	NO DRIVER
<b>L(mm)</b>	0
<b>Weight(g)</b>	205
<b>Materials</b>	Aluminium body + PMMA lens + polycarbonate antiglare
<b>Colour</b>	Nero
<b>Mounting</b>	Mechanical
<b>Packaging</b>	Cardboard box



**Technical info / Info tecniche**



Other colour temperatures and CRI available upon request. All values marked with an (\*) are rated values. Unless stated otherwise, the values apply to an ambient temperature of 25°C.

Luminous flux is subject to a normal technology drop over time. A.A.G. Stucchi reserves the right to make technical changes without prior notice. Real power: ±10% tolerance

Other colour temperatures and CRI available upon request. All values marked with an (\*) are rated values. Unless stated otherwise, the values apply to an ambient temperature of 25°C.

Luminous flux is subject to a normal technology drop over time. A.A.G. Stucchi reserves the right to make technical changes without prior notice. Real power: ±10% tolerance



## CLIC SPOT F41 CORE11 / CLIC SPOT F41 CORE11

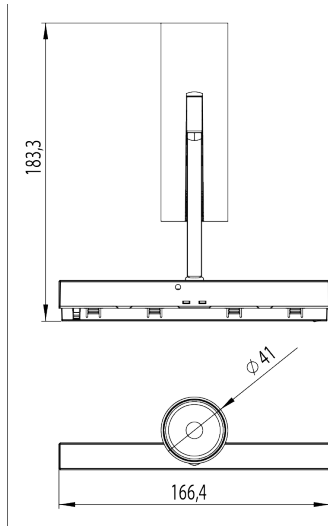
PRODUCT CODE / CODICE PRODOTTO

**F41/W26-A-0-C**

DESCRIPTION / DESCRIZIONE

48V spot. For 9600C CORE11 tracks. Aluminum body. PMMA Lens 18°. Ø41x176mm.

48V spot. For 9600C CORE11 tracks. Aluminum body. PMMA Lens 18°. Ø41x176mm.



TECHNICAL DATA / DATI TECNICI

**Application** ON TRACK

**Real Flux(lm)** 734.23

**Nominal Flux(lm)** 955.7

**Real Power(W)** 9.1

**Efficiency(lm / W)** 80.7

**LED source** LED

**Colour Temperature(K)** 4000

**CRI** 90

**MacAdam** ≤ 3

**Beam Angle** 17,4°

**UGR**

≤ 16	X=4H Y=8H S=0.25H	
	Reflection factors:	70/50/20
	UGR transversal:	14.2
	UGR axial:	14.2

**Lifetime(Khr)** >60Khr L85B5

**Driver** ON-OFF

**VF** ~ 35

**I LED(mA)** 250

**L(mm)** 0

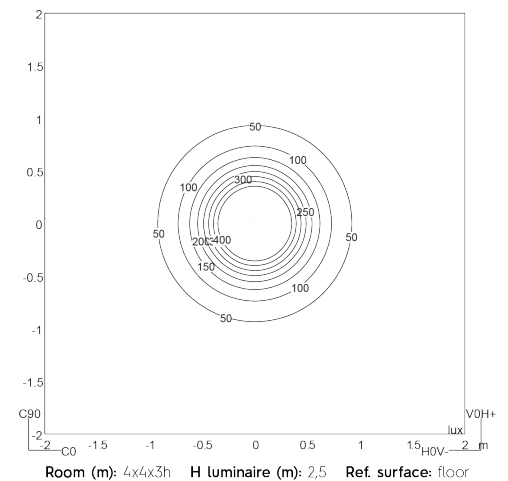
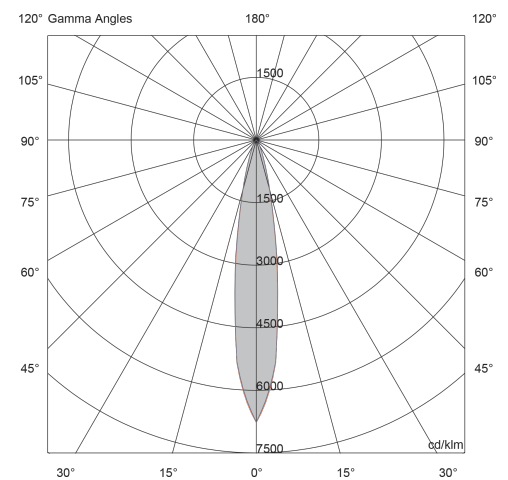
**Weight(g)** 212

**Materials** Aluminium body + PMMA lens + polycarbonate antiglare

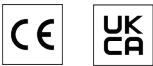
**Colour** Bianco

**Mounting** Mechanical

**Packaging** Cardboard box



Certifications / Certificazioni



Technical info / Info tecniche



Other colour temperatures and CRI available upon request. All values marked with an (\*) are rated values. Unless stated otherwise, the values apply to an ambient temperature of 25°C.

Luminous flux is subject to a normal technology drop over time. A.A.G. Stucchi reserves the right to make technical changes without prior notice. Real power: ±10% tolerance

Other colour temperatures and CRI available upon request. All values marked with an (\*) are rated values. Unless stated otherwise, the values apply to an ambient temperature of 25°C.

Luminous flux is subject to a normal technology drop over time. A.A.G. Stucchi reserves the right to make technical changes without prior notice. Real power: ±10% tolerance



## CLIC SPOT F41 CORE11 / CLIC SPOT F41 CORE11

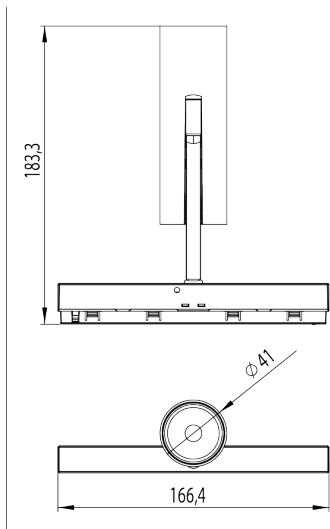
PRODUCT CODE / CODICE PRODOTTO

**F41/W26-A-2-C**

DESCRIPTION / DESCRIZIONE

48V spot. For 9600C CORE11 tracks. Aluminum body. PMMA Lens 18°. Ø41x176mm.

48V spot. For 9600C CORE11 tracks. Aluminum body. PMMA Lens 18°. Ø41x176mm.



TECHNICAL DATA / DATI TECNICI

**Application** ON TRACK

**Real Flux(lm)** 734.23

**Nominal Flux(lm)** 955.7

**Real Power(W)** 9.1

**Efficiency(lm / W)** 80.7

**LED source** LED

**Colour Temperature(K)** 4000

**CRI** 90

**MacAdam** ≤ 3

**Beam Angle** 17,4°

**UGR**

≤ 16	X=4H Y=8H S=0.25H	
	Reflection factors:	70/50/20
	UGR transversal:	14.2
	UGR axial:	14.2

**Lifetime(Khr)** >60Khr L85B5

**Driver** DALI 2

**VF** ~ 35

**I LED(mA)** 250

**L(mm)** 0

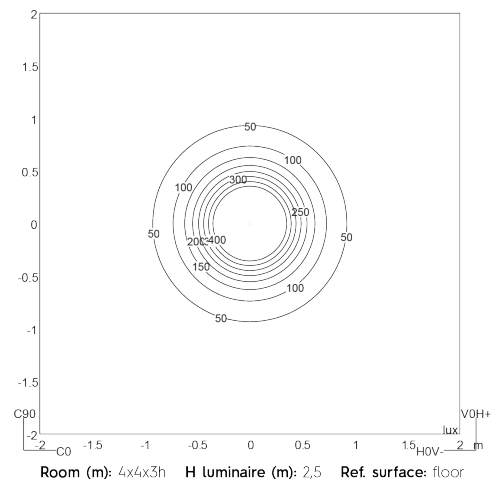
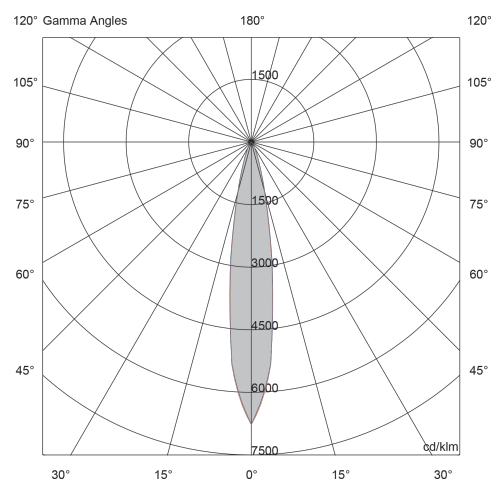
**Weight(g)** 218

**Materials** Aluminium body + PMMA lens + polycarbonate antiglare

**Colour** Bianco

**Mounting** Mechanical

**Packaging** Cardboard box



Certifications / Certificazioni



Technical info / Info tecniche



Other colour temperatures and CRI available upon request. All values marked with an (\*) are rated values. Unless stated otherwise, the values apply to an ambient temperature of 25°C.

Luminous flux is subject to a normal technology drop over time. A.A.G. Stucchi reserves the right to make technical changes without prior notice. Real power: ±10% tolerance

Other colour temperatures and CRI available upon request. All values marked with an (\*) are rated values. Unless stated otherwise, the values apply to an ambient temperature of 25°C.

Luminous flux is subject to a normal technology drop over time. A.A.G. Stucchi reserves the right to make technical changes without prior notice. Real power: ±10% tolerance



## CLIC SPOT F41 CORE11 / CLIC SPOT F41 CORE11

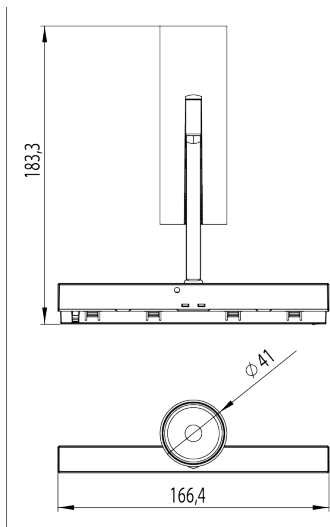
PRODUCT CODE / CODICE PRODOTTO

**F41/W26-A-5-C**

DESCRIPTION / DESCRIZIONE

48V spot. For 9600C CORE11 tracks. Aluminum body. PMMA Lens 18°. Ø41x176mm.

48V spot. For 9600C CORE11 tracks. Aluminum body. PMMA Lens 18°. Ø41x176mm.



TECHNICAL DATA / DATI TECNICI

**Application** ON TRACK

**Real Flux(lm)** 734.23

**Nominal Flux(lm)** 955.7

**Real Power(W)** 9.1

**Efficiency(lm / W)** 80.7

**LED source** LED

**Colour Temperature(K)** 4000

**CRI** 90

**MacAdam** ≤ 3

**Beam Angle** 17,4°

**UGR**

≤ 16	X=4H Y=8H S=0.25H	
	Reflection factors:	70/50/20
	UGR transversal:	14.2
	UGR axial:	14.2

**Lifetime(Khr)** >60Khr L85B5

**Driver** CASAMBI

**VF** ~ 35

**I LED(mA)** 250

**L(mm)** 0

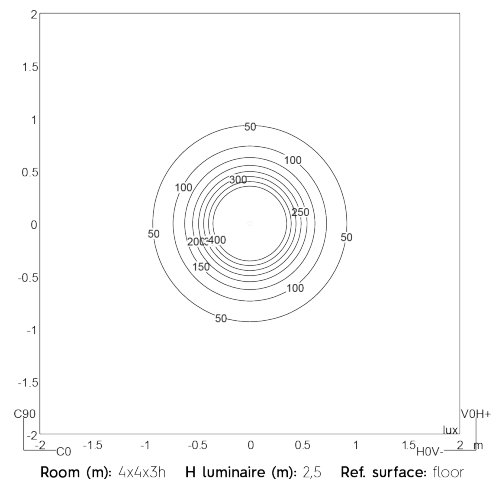
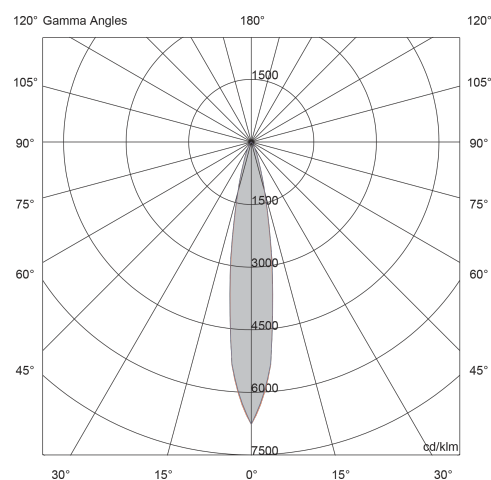
**Weight(g)** 215

**Materials** Aluminium body + PMMA lens + polycarbonate antiglare

**Colour** Bianco

**Mounting** Mechanical

**Packaging** Cardboard box



Certifications / Certificazioni



Technical info / Info tecniche



Other colour temperatures and CRI available upon request. All values marked with an (\*) are rated values. Unless stated otherwise, the values apply to an ambient temperature of 25°C.

Luminous flux is subject to a normal technology drop over time. A.A.G. Stucchi reserves the right to make technical changes without prior notice. Real power: ±10% tolerance

Other colour temperatures and CRI available upon request. All values marked with an (\*) are rated values. Unless stated otherwise, the values apply to an ambient temperature of 25°C.

Luminous flux is subject to a normal technology drop over time. A.A.G. Stucchi reserves the right to make technical changes without prior notice. Real power: ±10% tolerance



**CLIC SPOT F41 CORE11 / CLIC SPOT F41 CORE11**

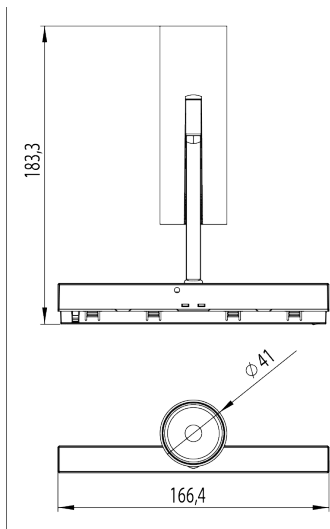
**PRODUCT CODE / CODICE PRODOTTO**

**F41/W26-A-9-C**

**DESCRIPTION / DESCRIZIONE**

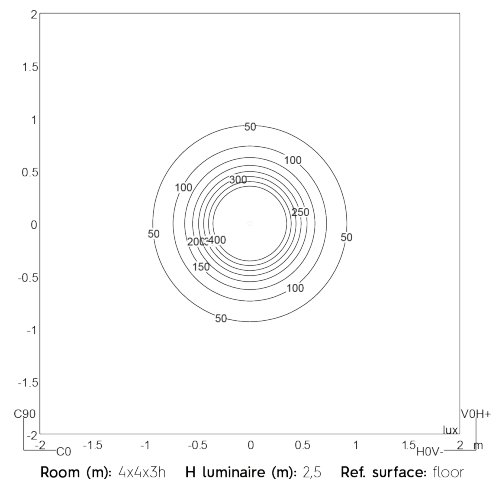
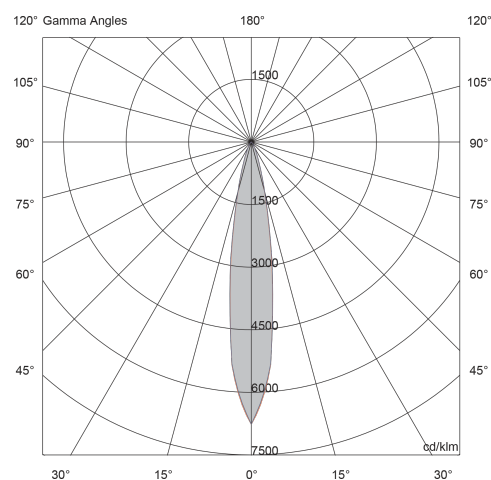
48V spot. For 9600C CORE11 tracks. Aluminum body. PMMA Lens 18°. Ø41x176mm.

48V spot. For 9600C CORE11 tracks. Aluminum body. PMMA Lens 18°. Ø41x176mm.



**TECHNICAL DATA / DATI TECNICI**

<b>Application</b>	ON TRACK
<b>LED source</b>	LED
<b>Colour Temperature(K)</b>	4000
<b>CRI</b>	90
<b>MacAdam</b>	≤ 3
<b>Beam Angle</b>	17,4°
<b>UGR</b>	≤ 16
	X=4H Y=8H S=0.25H
	Reflection factors: 70/50/20
<b>Driver</b>	NO DRIVER
<b>L(mm)</b>	0
<b>Weight(g)</b>	205
<b>Materials</b>	Aluminium body + PMMA lens + polycarbonate antiglare
<b>Colour</b>	Bianco
<b>Mounting</b>	Mechanical
<b>Packaging</b>	Cardboard box



**Technical info / Info tecniche**



Other colour temperatures and CRI available upon request. All values marked with an (\*) are rated values. Unless stated otherwise, the values apply to an ambient temperature of 25°C.

Luminous flux is subject to a normal technology drop over time. A.A.G. Stucchi reserves the right to make technical changes without prior notice. Real power: ±10% tolerance

Other colour temperatures and CRI available upon request. All values marked with an (\*) are rated values. Unless stated otherwise, the values apply to an ambient temperature of 25°C.

Luminous flux is subject to a normal technology drop over time. A.A.G. Stucchi reserves the right to make technical changes without prior notice. Real power: ±10% tolerance