

SENZAFINE EVO HE LENS / SENZAFINE EVO HE LENS

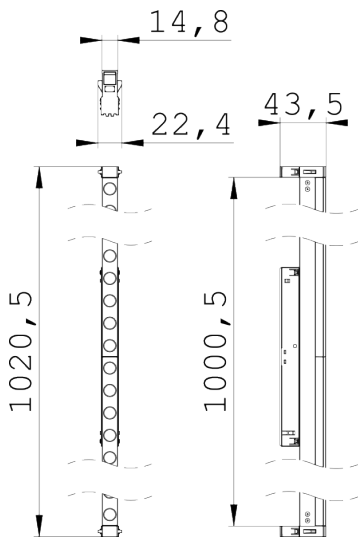
PRODUCT CODE / CODICE PRODOTTO

M141000/B5-C-2-E

DESCRIPTION / DESCRIZIONE

48V linear light module. For 9500 tracks. EVO / MULTISYSTEM®. Aluminum body. PMMA Lens 37°. Polycarbonate cover. L(mm): 1020.

48V linear light module. For 9500 tracks. EVO / MULTISYSTEM®. Aluminum body. PMMA Lens 37°. Polycarbonate cover. L(mm): 1020.



TECHNICAL DATA / DATI TECNICI

Application ON TRACK

Real Flux(lm) 2209

Nominal Flux(lm) 2659

Real Power(W) 21.7

Efficiency(lm / W) 101.8

LED source LED

Colour Temperature(K) 3000

CRI 90

MacAdam ≤ 3

Beam Angle 37,2°x36,6°

UGR

<13	X=4H Y=8H	S=0.25H
	Reflection factors:	70/50/20
	UGR transversal:	11.2
	UGR axial:	11

Lifetime(Khr) >60Khr L90B5

Driver DALI 2

VF ~ 34

I LED(mA) 600

L(mm) 1021

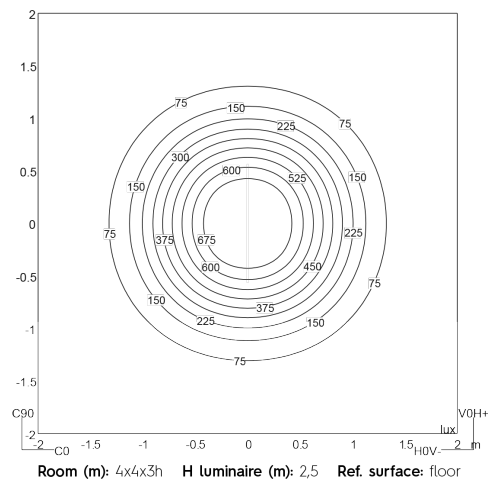
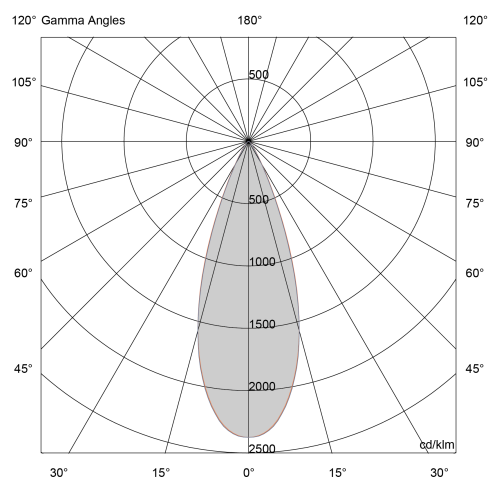
Weight(g) 0

Materials Aluminium body + PMMA lenses + polycarbonate covers

Colour Nero

Mounting Mechanical

Packaging Tube



Certifications / Certificazioni



Technical info / Info tecniche

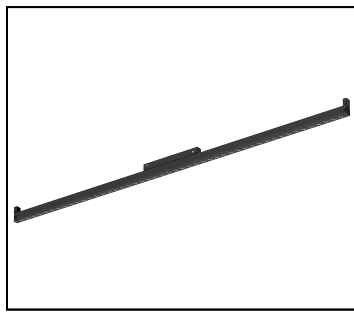


Other colour temperatures and CRI available upon request. All values marked with an (*) are rated values. Unless stated otherwise, the values apply to an ambient temperature of 25°C.

Luminous flux is subject to a normal technology drop over time. A.A.G. Stucchi reserves the right to make technical changes without prior notice. Real power: ±10% tolerance

Other colour temperatures and CRI available upon request. All values marked with an (*) are rated values. Unless stated otherwise, the values apply to an ambient temperature of 25°C.

Luminous flux is subject to a normal technology drop over time. A.A.G. Stucchi reserves the right to make technical changes without prior notice. Real power: ±10% tolerance



SENZAFINE EVO HE LENS / SENZAFINE EVO HE LENS

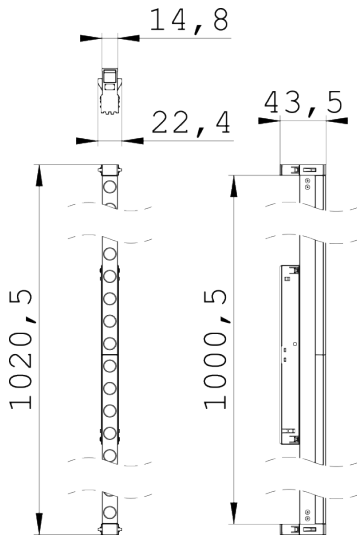
PRODUCT CODE / CODICE PRODOTTO

M141000/B5-C-0-E

DESCRIPTION / DESCRIZIONE

48V linear light module. For 9500 tracks. EVO / MULTISYSTEM®. Aluminum body. PMMA Lens 37°. Polycarbonate cover. L(mm): 1020.

48V linear light module. For 9500 tracks. EVO / MULTISYSTEM®. Aluminum body. PMMA Lens 37°. Polycarbonate cover. L(mm): 1020.



TECHNICAL DATA / DATI TECNICI

Application ON TRACK

Real Flux(lm) 2209

Nominal Flux(lm) 2659

Real Power(W) 21.7

Efficiency(lm / W) 101.8

LED source LED

Colour Temperature(K) 3000

CRI 90

MacAdam ≤ 3

Beam Angle 37,2°x36,6°

UGR

<13	X=4H Y=8H	S=0.25H
	Reflection factors:	70/50/20
	UGR transversal:	11.2
	UGR axial:	11

Lifetime(Khr) >60Khr L90B5

Driver ON-OFF

VF ~ 34

I LED(mA) 600

L(mm) 1021

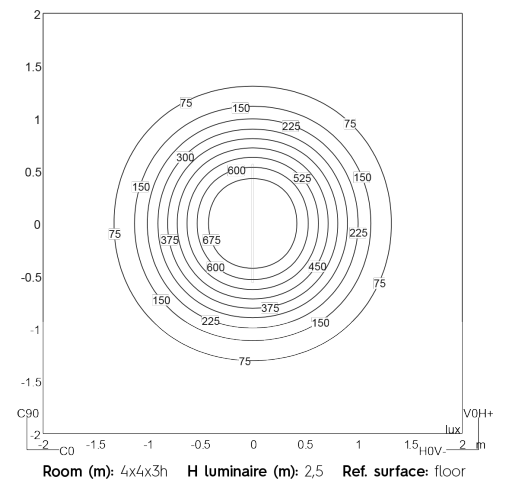
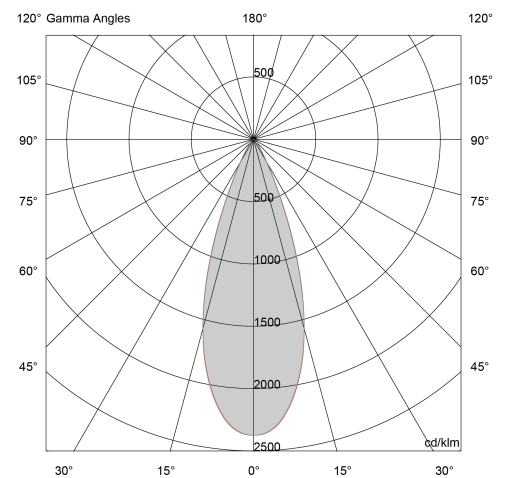
Weight(g) 0

Materials Aluminium body + PMMA lenses + polycarbonate covers

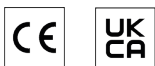
Colour Nero

Mounting Mechanical

Packaging Tube



Certifications / Certificazioni



Technical info / Info tecniche

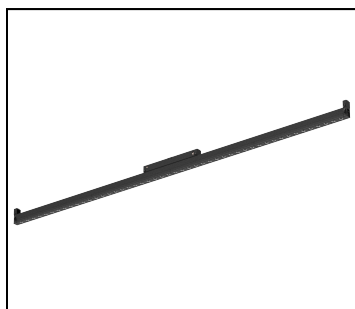


Other colour temperatures and CRI available upon request. All values marked with an (*) are rated values. Unless stated otherwise, the values apply to an ambient temperature of 25°C.

Luminous flux is subject to a normal technology drop over time. A.A.G. Stucchi reserves the right to make technical changes without prior notice. Real power: ±10% tolerance

Other colour temperatures and CRI available upon request. All values marked with an (*) are rated values. Unless stated otherwise, the values apply to an ambient temperature of 25°C.

Luminous flux is subject to a normal technology drop over time. A.A.G. Stucchi reserves the right to make technical changes without prior notice. Real power: ±10% tolerance



SENZAFINE EVO HE LENS / SENZAFINE EVO HE LENS

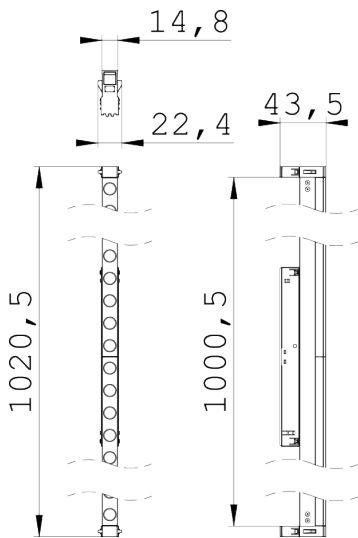
PRODUCT CODE / CODICE PRODOTTO

M141000/B5-C-1-E

DESCRIPTION / DESCRIZIONE

48V linear light module. For 9500 tracks. EVO / MULTISYSTEM®. Aluminum body. PMMA Lens 37°. Polycarbonate cover. L(mm): 1020.

48V linear light module. For 9500 tracks. EVO / MULTISYSTEM®. Aluminum body. PMMA Lens 37°. Polycarbonate cover. L(mm): 1020.



TECHNICAL DATA / DATI TECNICI

Application ON TRACK

Real Flux(lm) 2209

Nominal Flux(lm) 2659

Real Power(W) 21.7

Efficiency(lm / W) 101.8

LED source LED

Colour Temperature(K) 3000

CRI 90

MacAdam ≤ 3

Beam Angle 37,2°x36,6°

UGR

<13	X=4H Y=8H	S=0.25H
	Reflection factors:	70/50/20
	UGR transversal:	11.2
	UGR axial:	11

Lifetime(Khr) >60Khr L90B5

Driver 0...10V

VF ~ 34

I LED(mA) 600

L(mm) 1021

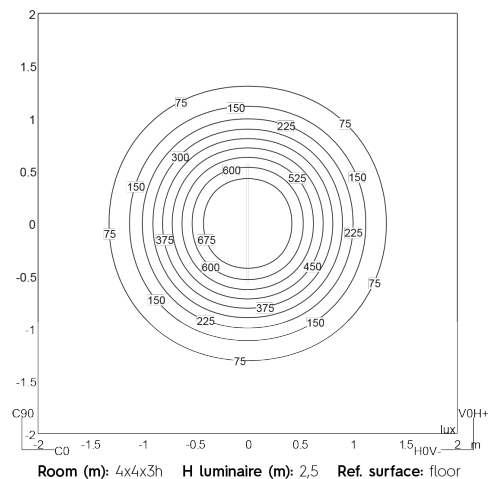
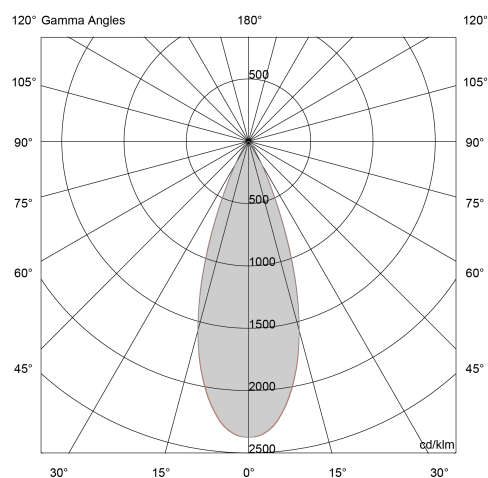
Weight(g) 0

Materials Aluminium body + PMMA lenses + polycarbonate covers

Colour Nero

Mounting Mechanical

Packaging Tube



Certifications / Certificazioni



Technical info / Info tecniche

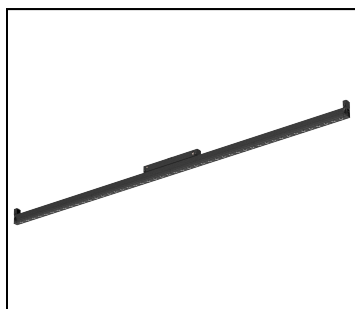


Other colour temperatures and CRI available upon request. All values marked with an (*) are rated values. Unless stated otherwise, the values apply to an ambient temperature of 25°C.

Luminous flux is subject to a normal technology drop over time. A.A.G. Stucchi reserves the right to make technical changes without prior notice. Real power: ±10% tolerance

Other colour temperatures and CRI available upon request. All values marked with an (*) are rated values. Unless stated otherwise, the values apply to an ambient temperature of 25°C.

Luminous flux is subject to a normal technology drop over time. A.A.G. Stucchi reserves the right to make technical changes without prior notice. Real power: ±10% tolerance



SENZAFINE EVO HE LENS / SENZAFINE EVO HE LENS

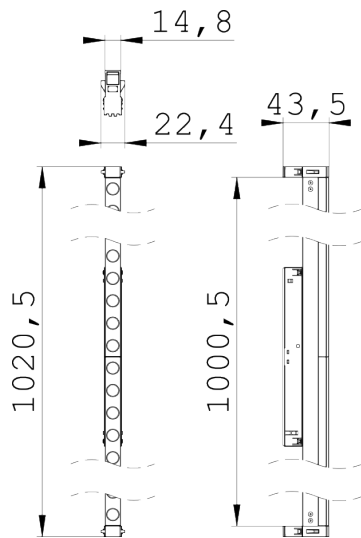
PRODUCT CODE / CODICE PRODOTTO

M141000/B5-C-9-E

DESCRIPTION / DESCRIZIONE

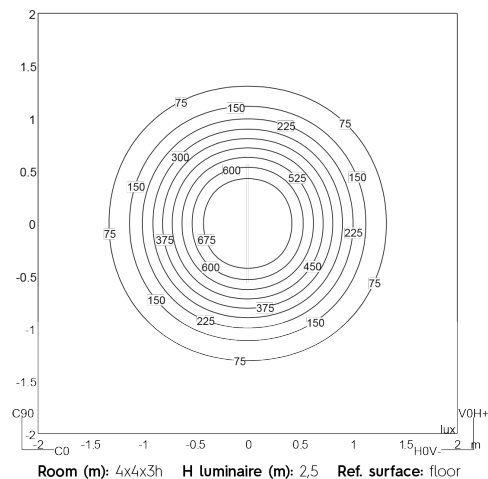
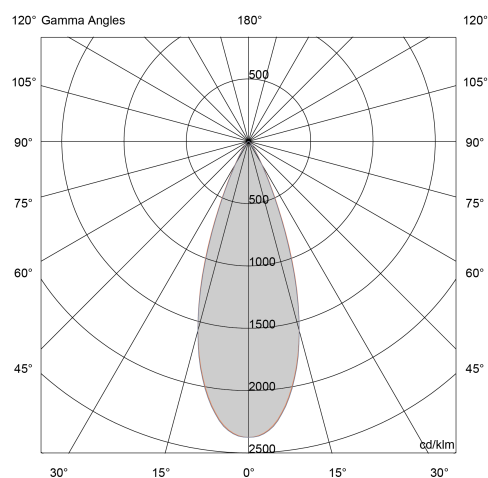
48V linear light module. For 9500 tracks. EVO / MULTISYSTEM®. Aluminum body. PMMA Lens 37°. Polycarbonate cover. L(mm): 1020.

48V linear light module. For 9500 tracks. EVO / MULTISYSTEM®. Aluminum body. PMMA Lens 37°. Polycarbonate cover. L(mm): 1020.



TECHNICAL DATA / DATI TECNICI

Application	ON TRACK
LED source	LED
Colour Temperature(K)	3000
CRI	90
MacAdam	≤ 3
Beam Angle	37,2°x36,6°
UGR	<13
	X=4H Y=8H S=0.25H
	Reflection factors: 70/50/20
Driver	NO DRIVER
L(mm)	1021
Weight(g)	0
Materials	Aluminium body + PMMA lenses + polycarbonate covers
Colour	Nero
Mounting	Mechanical
Packaging	Tube



Technical info / Info tecniche

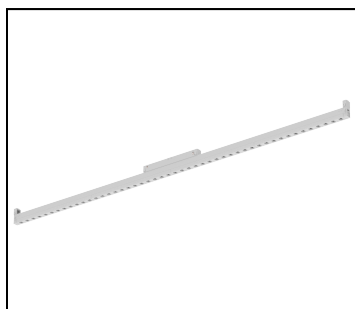


Other colour temperatures and CRI available upon request. All values marked with an (*) are rated values. Unless stated otherwise, the values apply to an ambient temperature of 25°C.

Luminous flux is subject to a normal technology drop over time. A.A.G. Stucchi reserves the right to make technical changes without prior notice. Real power: ±10% tolerance

Other colour temperatures and CRI available upon request. All values marked with an (*) are rated values. Unless stated otherwise, the values apply to an ambient temperature of 25°C.

Luminous flux is subject to a normal technology drop over time. A.A.G. Stucchi reserves the right to make technical changes without prior notice. Real power: ±10% tolerance



SENZAFINE EVO HE LENS / SENZAFINE EVO HE LENS

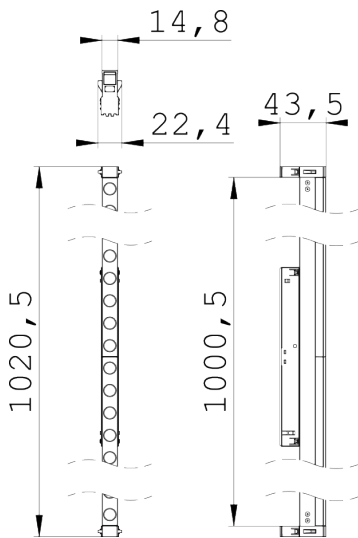
PRODUCT CODE / CODICE PRODOTTO

M141000/W5-C-2-E

DESCRIPTION / DESCRIZIONE

48V linear light module. For 9500 tracks. EVO / MULTISYSTEM®. Aluminum body. PMMA Lens 37°. Polycarbonate cover. L(mm): 1020.

48V linear light module. For 9500 tracks. EVO / MULTISYSTEM®. Aluminum body. PMMA Lens 37°. Polycarbonate cover. L(mm): 1020.



TECHNICAL DATA / DATI TECNICI

Application ON TRACK

Real Flux(lm) 2209

Nominal Flux(lm) 2659

Real Power(W) 21.7

Efficiency(lm / W) 101.8

LED source LED

Colour Temperature(K) 3000

CRI 90

MacAdam ≤ 3

Beam Angle 37,2°x36,6°

UGR

<13	X=4H Y=8H	S=0.25H
	Reflection factors:	70/50/20
	UGR transversal:	11.2
	UGR axial:	11

Lifetime(Khr) >60Khr L90B5

Driver DALI 2

VF ~ 34

I LED(mA) 600

L(mm) 1021

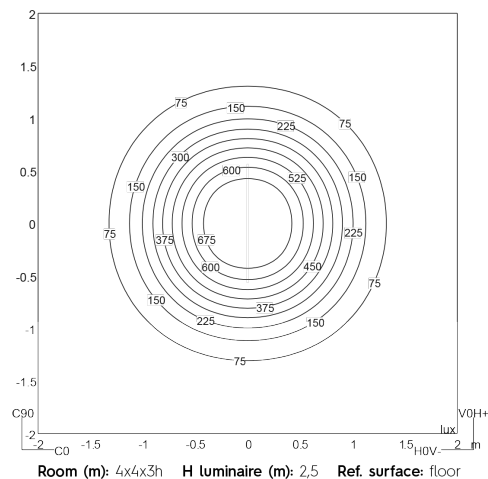
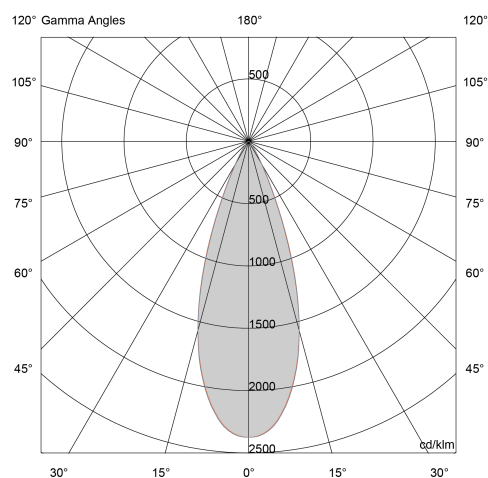
Weight(g) 0

Materials Aluminium body + PMMA lenses + polycarbonate covers

Colour Bianco

Mounting Mechanical

Packaging Tube



Certifications / Certificazioni



Technical info / Info tecniche

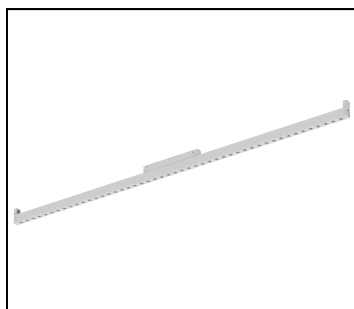


Other colour temperatures and CRI available upon request. All values marked with an (*) are rated values. Unless stated otherwise, the values apply to an ambient temperature of 25°C.

Luminous flux is subject to a normal technology drop over time. A.A.G. Stucchi reserves the right to make technical changes without prior notice. Real power: ±10% tolerance

Other colour temperatures and CRI available upon request. All values marked with an (*) are rated values. Unless stated otherwise, the values apply to an ambient temperature of 25°C.

Luminous flux is subject to a normal technology drop over time. A.A.G. Stucchi reserves the right to make technical changes without prior notice. Real power: ±10% tolerance



SENZAFINE EVO HE LENS / SENZAFINE EVO HE LENS

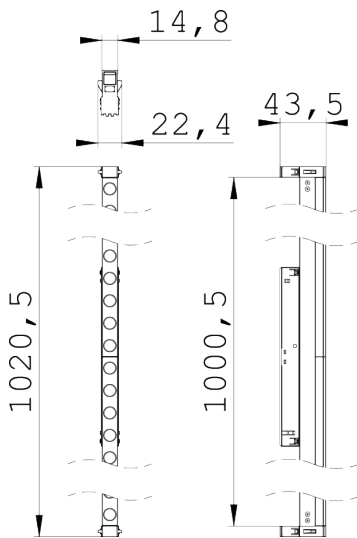
PRODUCT CODE / CODICE PRODOTTO

M141000/W5-C-0-E

DESCRIPTION / DESCRIZIONE

48V linear light module. For 9500 tracks. EVO / MULTISYSTEM®. Aluminum body. PMMA Lens 37°. Polycarbonate cover. L(mm): 1020.

48V linear light module. For 9500 tracks. EVO / MULTISYSTEM®. Aluminum body. PMMA Lens 37°. Polycarbonate cover. L(mm): 1020.



TECHNICAL DATA / DATI TECNICI

Application ON TRACK

Real Flux(lm) 2209

Nominal Flux(lm) 2659

Real Power(W) 21.7

Efficiency(lm / W) 101.8

LED source LED

Colour Temperature(K) 3000

CRI 90

MacAdam ≤ 3

Beam Angle 37,2°x36,6°

UGR

<13	X=4H Y=8H	S=0.25H
	Reflection factors:	70/50/20
	UGR transversal:	11.2
	UGR axial:	11

Lifetime(Khr) >60Khr L90B5

Driver ON-OFF

VF ~ 34

I LED(mA) 600

L(mm) 1021

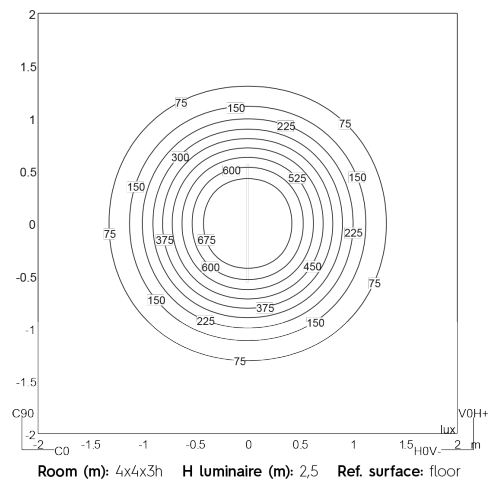
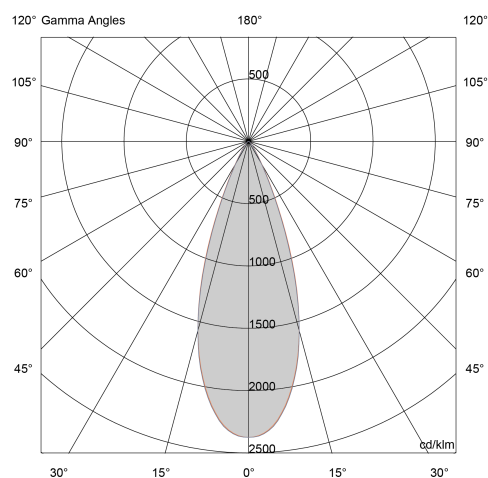
Weight(g) 0

Materials Aluminium body + PMMA lenses + polycarbonate covers

Colour Bianco

Mounting Mechanical

Packaging Tube



Certifications / Certificazioni



Technical info / Info tecniche

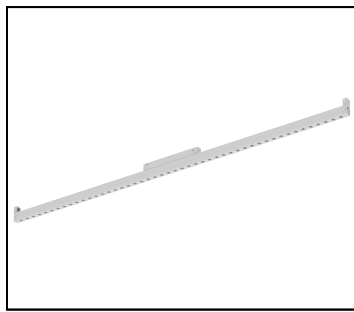


Other colour temperatures and CRI available upon request. All values marked with an (*) are rated values. Unless stated otherwise, the values apply to an ambient temperature of 25°C.

Luminous flux is subject to a normal technology drop over time. A.A.G. Stucchi reserves the right to make technical changes without prior notice. Real power: ±10% tolerance

Other colour temperatures and CRI available upon request. All values marked with an (*) are rated values. Unless stated otherwise, the values apply to an ambient temperature of 25°C.

Luminous flux is subject to a normal technology drop over time. A.A.G. Stucchi reserves the right to make technical changes without prior notice. Real power: ±10% tolerance



SENZAFINE EVO HE LENS / SENZAFINE EVO HE LENS

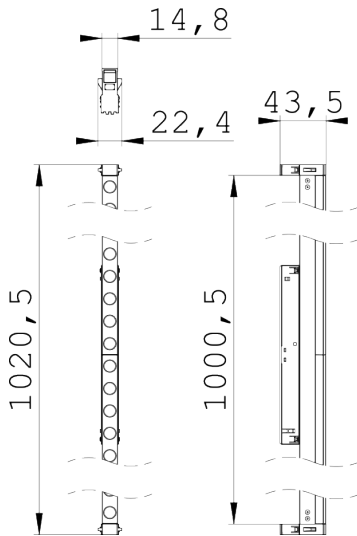
PRODUCT CODE / CODICE PRODOTTO

M141000/W5-C-1-E

DESCRIPTION / DESCRIZIONE

48V linear light module. For 9500 tracks. EVO / MULTISYSTEM®. Aluminum body. PMMA Lens 37°. Polycarbonate cover. L(mm): 1020.

48V linear light module. For 9500 tracks. EVO / MULTISYSTEM®. Aluminum body. PMMA Lens 37°. Polycarbonate cover. L(mm): 1020.



TECHNICAL DATA / DATI TECNICI

Application ON TRACK

Real Flux(lm) 2209

Nominal Flux(lm) 2659

Real Power(W) 21.7

Efficiency(lm / W) 101.8

LED source LED

Colour Temperature(K) 3000

CRI 90

MacAdam ≤ 3

Beam Angle 37,2°x36,6°

UGR

<13	X=4H Y=8H	S=0.25H
	Reflection factors:	70/50/20
	UGR transversal:	11.2
	UGR axial:	11

Lifetime(Khr) >60Khr L90B5

Driver 0...10V

VF ~ 34

I LED(mA) 600

L(mm) 1021

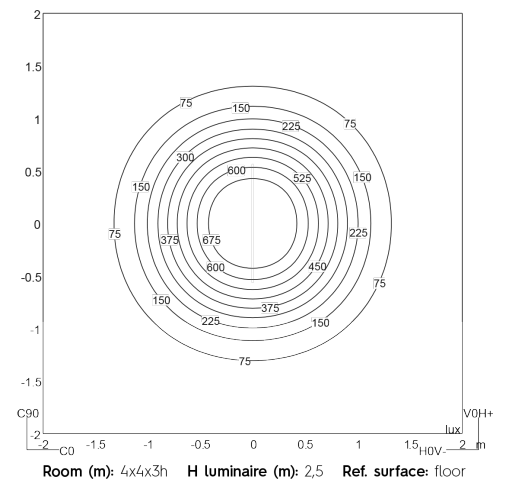
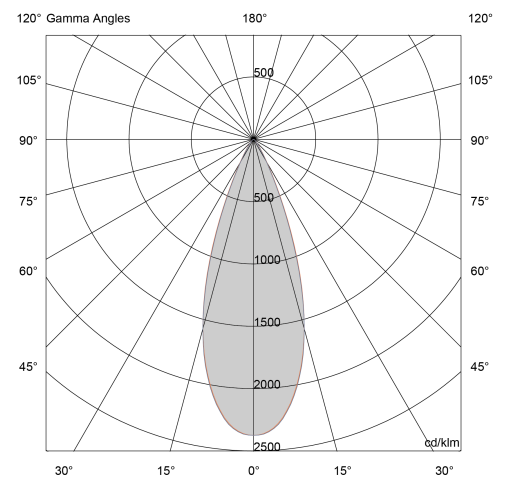
Weight(g) 0

Materials Aluminium body + PMMA lenses + polycarbonate covers

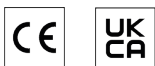
Colour Bianco

Mounting Mechanical

Packaging Tube



Certifications / Certificazioni



Technical info / Info tecniche

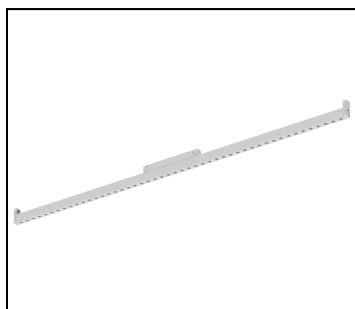


Other colour temperatures and CRI available upon request. All values marked with an (*) are rated values. Unless stated otherwise, the values apply to an ambient temperature of 25°C.

Luminous flux is subject to a normal technology drop over time. A.A.G. Stucchi reserves the right to make technical changes without prior notice. Real power: ±10% tolerance

Other colour temperatures and CRI available upon request. All values marked with an (*) are rated values. Unless stated otherwise, the values apply to an ambient temperature of 25°C.

Luminous flux is subject to a normal technology drop over time. A.A.G. Stucchi reserves the right to make technical changes without prior notice. Real power: ±10% tolerance



SENZAFINE EVO HE LENS / SENZAFINE EVO HE LENS

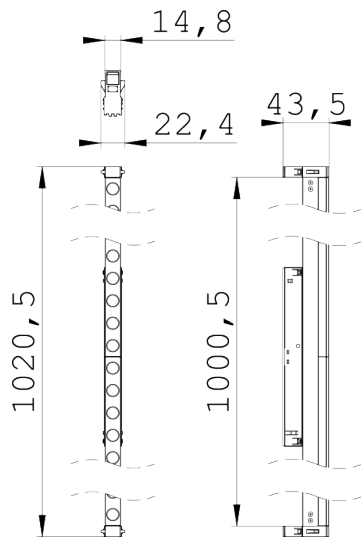
PRODUCT CODE / CODICE PRODOTTO

M141000/W5-C-9-E

DESCRIPTION / DESCRIZIONE

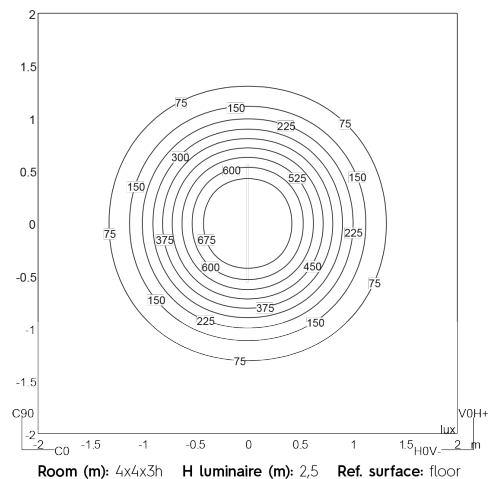
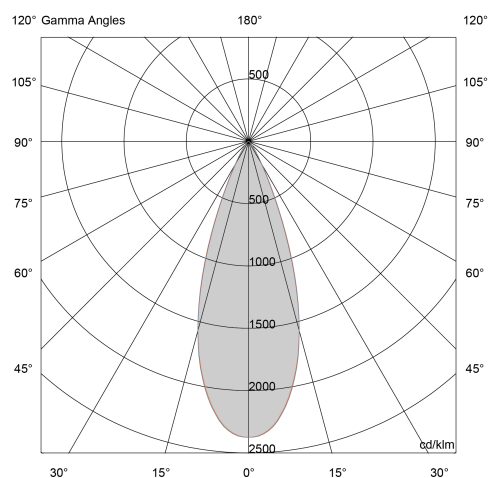
48V linear light module. For 9500 tracks. EVO / MULTISYSTEM®. Aluminum body. PMMA Lens 37°. Polycarbonate cover. L(mm): 1020.

48V linear light module. For 9500 tracks. EVO / MULTISYSTEM®. Aluminum body. PMMA Lens 37°. Polycarbonate cover. L(mm): 1020.



TECHNICAL DATA / DATI TECNICI

Application	ON TRACK						
LED source	LED						
Colour Temperature(K)	3000						
CRI	90						
MacAdam	≤ 3						
Beam Angle	37,2°x36,6°						
UGR	<table border="1"> <tr> <td><13</td> <td>X=4H Y=8H</td> <td>S=0.25H</td> </tr> <tr> <td colspan="3">Reflection factors: 70/50/20</td> </tr> </table>	<13	X=4H Y=8H	S=0.25H	Reflection factors: 70/50/20		
<13	X=4H Y=8H	S=0.25H					
Reflection factors: 70/50/20							
Driver	NO DRIVER						
L(mm)	1021						
Weight(g)	0						
Materials	Aluminium body + PMMA lenses + polycarbonate covers						
Colour	Bianco						
Mounting	Mechanical						
Packaging	Tube						



Technical info / Info tecniche



Other colour temperatures and CRI available upon request. All values marked with an (*) are rated values. Unless stated otherwise, the values apply to an ambient temperature of 25°C.

Luminous flux is subject to a normal technology drop over time. A.A.G. Stucchi reserves the right to make technical changes without prior notice. Real power: ±10% tolerance

Other colour temperatures and CRI available upon request. All values marked with an (*) are rated values. Unless stated otherwise, the values apply to an ambient temperature of 25°C.

Luminous flux is subject to a normal technology drop over time. A.A.G. Stucchi reserves the right to make technical changes without prior notice. Real power: ±10% tolerance