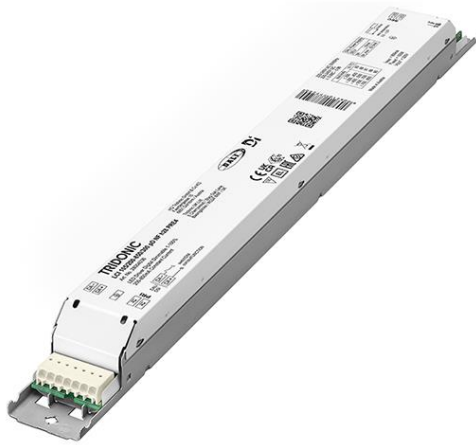


Driver LCI 105W 200-850mA pD NF h28 PRE4 (INDUSTRY)
premium series non-SELV

**Product description**

- _ Constant current built-in Driver for LED, particularly suitable for industrial applications in tough environments with elevated ambient temperatures such as warehouses or factories
- _ Certified D4i product
- _ Dimming range 1 to 100 %
- _ For luminaires of protection class I and protection class II
- _ Output current adjustable between 200 – 850 mA
- _ Max. output power 105 W
- _ Suitable for mains voltage peaks (burst/surge) up to 4 kV
- _ Expanded temperature range of -40 ... +80 °C
- _ Nominal lifetime up to 100,000 h (at ta 60 °C)
- _ 8 years guarantee (conditions at <https://www.tridonic.com/manufacturer-guarantee-conditions>)

Housing properties

- _ White slim metal casing
- _ Type of protection IP20

Interfaces

- _ Near field communication (NFC)
- _ one4all (DALI-2 DT 6, DSI, switchDIM, corridorFUNCTION)
- _ Terminal blocks: 0° push terminals

Functions

- _ Adjustable output current in 1-mA-steps (NFC, DALI)
- _ Fulfills DALI-2 parts: 250 (Integrated bus power supply), 251 (Luminaire data), 252 (Energy reporting) and 253 (Diagnostics & Maintenance)
- _ Constant light output function (CLO)
- _ Intelligent Temperature Guard (overtemperature protection)
- _ Intelligent Voltage Guard (overvoltage and undervoltage monitoring)
- _ Protective features (overtemperature, short-circuit, overload, no-load, input voltage range)
- _ Suitable for emergency escape lighting systems acc. to EN 50172

Benefits

- _ Flexible configuration via companionSUITE (NFC, DALI)
- _ Application-oriented operating window for maximum compatibility
- _ Extended vibration damping
- _ Increased safety through robust design and advanced testing under extreme test conditions
- _ High reliability through the selection of exclusive components

Typical applications

- _ For linear/area lighting in industry applications

Website

<http://www.tridonic.com/28004036>



Spotlights



Downlights



Linear



Area



Floor | Wall



Free-standing



Street



Decorative

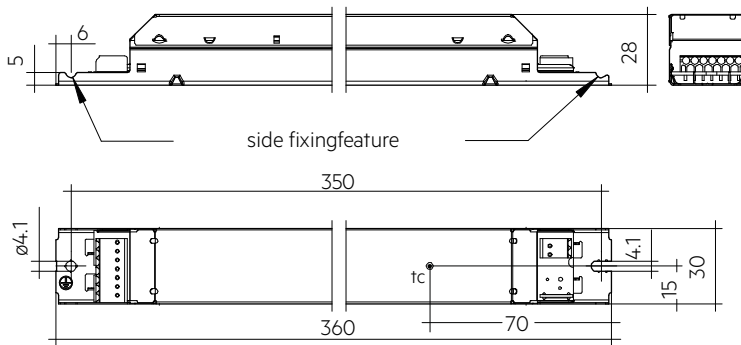


High bay

Driver LCI 105W 200-850mA pD NF h28 PRE4 (INDUSTRY)

premium series non-SELV

The complete data sheet for this product is available in the Downloads section.

**Ordering data**

Type	Article number	Packaging, carton	Packaging, pallet	Weight per pc.
LCI 105/200-850/300 pD NF h28 PRE4	28004036	10 pc(s).	600 pc(s).	0.317 kg

Technical data

Rated supply voltage	220 – 240 V
AC voltage range	198 – 264 V
DC voltage range	176 – 280 V
Mains frequency	0 / 50 / 60 Hz
Overvoltage protection	320 V AC, 48 h
Typ. rated current (at 230 V, 50 Hz, full load) ^{①②}	481 mA
Typ. current (220 V, 0 Hz, full load, EOFx dimlevel) ^{①②}	85 mA
Leakage current (at 230 V, 50 Hz, full load) ^{①②}	< 300 µA
Max. input power	109 W
Output power range (P _{rated})	16 – 105 W
Typ. efficiency (at 230 V, 50 Hz, full load) ^{②③}	96 %
λ (at 230 V, 50 Hz, full load) ^①	0.98
λ over full operating range (max.)	0.98
λ over full operating range (min.)	0.61C
Typ. power consumption on stand-by ^④	< 0.14 W
Typ. input current in no-load operation ^④	< 63 mA
Typ. input power in no-load operation ^④	< 0.31 W
In-rush current (peak / duration)	23.6 A / 26 µs
THD (at 230 V, 50 Hz, full load) ^①	< 6.5 %
Starting time (at 230 V, 50 Hz, full load) ^①	< 0.7 s
Starting time (DC mode)	< 0.3 s
Switchover time (AC/DC) ^④	< 0.1 s
Turn off time (at 230 V, 50 Hz, full load)	< 0.01 s
Output current tolerance ^{①⑤}	± 3 %
Max. output current peak (non-repetitive)	1,190 mA
Output LF current ripple (< 120 Hz) ^①	± 1.5 %
Output P _{ST_LM} (at full load)	≤ 1
Output SVM (at full load)	≤ 0.4
Max. output voltage (U-OUT)	320 V
Dimming range	1 – 100 %
Mains surge capability (between L - N)	4 kV
Mains surge capability (between L/N - PE)	4 kV
Surge voltage at output side (against PE)	4 kV
Type of protection	IP20
Lifetime	up to 100,000 h
Guarantee (conditions at www.tridonic.com)	8 Year(s)
Dimensions L x W x H	360 x 30 x 28 mm

Approval marks**Standards**

EN 55015, EN 60068-2-27, EN 60068-2-64, EN 61000-3-2, EN 61000-3-3, EN 61347-1, EN 61347-2-13, EN 62384, EN 61547, EN 62386-101, EN 62386-102, EN 62386-207 (DALI-2), EN 50172, EN 60598-2-22

Specific technical data

Type	Output ^⑥ current	Min. output voltage	Max. output voltage	Max. output power	Typ. power consumption (at 230 V, 50 Hz, full load)	Typ. current consumption (at 230 V, 50 Hz, full load)	tc point max.	Ambient temperature t _a
LCI 105/200-850/300 pD NF h28 PRE4	200 mA	80 V	300.0 V	60 W	63.1 W	288 mA	85 °C	-40 ... +80 °C
LCI 105/200-850/300 pD NF h28 PRE4	300 mA	80 V	300.0 V	90 W	93.5 W	417 mA	88 °C	-40 ... +80 °C
LCI 105/200-850/300 pD NF h28 PRE4	350 mA	80 V	300.0 V	105 W	108.9 W	483 mA	88 °C	-40 ... +80 °C
LCI 105/200-850/300 pD NF h28 PRE4	550 mA	80 V	190.9 V	105 W	109.0 W	484 mA	91 °C	-40 ... +80 °C
LCI 105/200-850/300 pD NF h28 PRE4	750 mA	80 V	140.0 V	105 W	109.2 W	485 mA	90 °C	-40 ... +75 °C
LCI 105/200-850/300 pD NF h28 PRE4	850 mA	80 V	123.5 V	105 W	109.2 W	481 mA	90 °C	-40 ... +75 °C

① Valid at 100 % dimming level.

② Depending on the selected output current.

③ Depending on the DALI traffic at the interface. DALI bus power supply deactivated.

④ Valid for immediate change of power supply type otherwise the starting time is valid.

⑤ Output current is mean value.

⑥ The table only lists a number of possible operating points but does not cover each single point. The output current can be set within the total value range in 1-mA-steps.