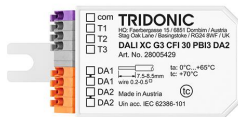


**DALI XC G3 CFI 30 PBI3 DA2**

DALI-2 control module with switch inputs



**Product description**

- \_ DALI-2 push buttons input device
- \_ Compatible with DALI-2 certified Application Controller
- \_ Suitable for DALI-2 certified lighting control systems
- \_ 3 independent inputs enabling connection of floating contact, standard momentary switches
- \_ Multiple DALI XCs possible on the DALI-2 line
- \_ Power supply via DALI-2 line
- \_ Extended max. wiring length up to 2 m between COM and Tx terminal
- \_ Detachable mounting flaps, allow installation in flush-mounted boxes and luminaires
- \_ Through-wiring DA1 / DA2 possible
- \_ DALI-2 / D4i certified (type "B")
- \_ 5 years guarantee (conditions at <https://www.tridonic.com/manufacture-guarantee-conditions>)

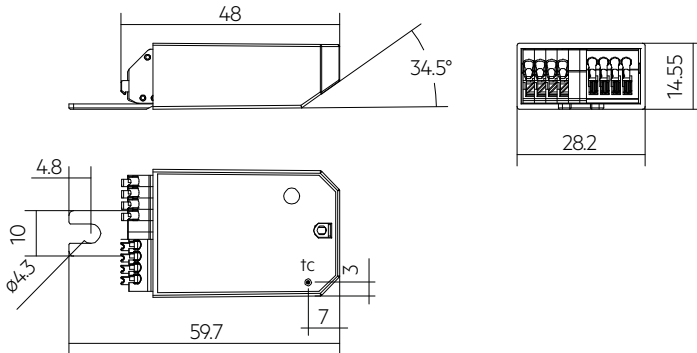
**Website**

<http://www.tridonic.com/28005429>



**DALI XC G3 CFI 30 PBI3 DA2**

DALI-2 control module with switch inputs

**Ordering data**

Type	Article number	Packaging, carton	Weight per pc.
DALI XC G3 CFI 30 PBI3 DA2	28005429	28 pc(s).	0.087 kg

**Technical data**

Supply via	DALI-2
Supply voltage <sup>①</sup>	9.5 – 22.5 V
Current draw	max. 6 mA
Input	3 momentary-action switches or relays
Ambient temperature $t_a$	0 ... +65 °C
tc point	70 °C
Storage temperature $t_s$	-25 ... +60 °C
Humidity	20 ... 90 % not condensed
Starting time	≤ 6 s
Type of protection	IP20
Mounting	Luminaire installation
Housing material	Polycarbonate
Housing colour	Light grey, similar to RAL 7035
Dimensions L x W x H	59.7 x 28.2 x 14.6 mm
Guarantee (conditions at <a href="http://www.tridonic.com">www.tridonic.com</a> )	5 Year(s)

**Approval marks****Standards**

EN 61347-1, EN 55015, EN 61347-2-11, EN 61547, EN 62386-101, EN 62386-103, EN 62386-301

①  $U_{in}$  acc. IEC 62386-101.

### 1. Standards

EN 61347-1  
EN 55015  
EN 61347-2-11  
EN 61547  
EN 62386-101  
EN 62386-103  
EN 62386-301  
EN 62386-351

#### 1.1 DALI note



Device is developed according to DALI Standard EN 62386-101 Ed.2, also known as DALI-2.

To be able to use the device in such installation, an application controller is necessary.

#### 1.2 D4i note

D4i luminaire-mounted control devices (part 351) = Type B

#### 1.3 Glow wire test

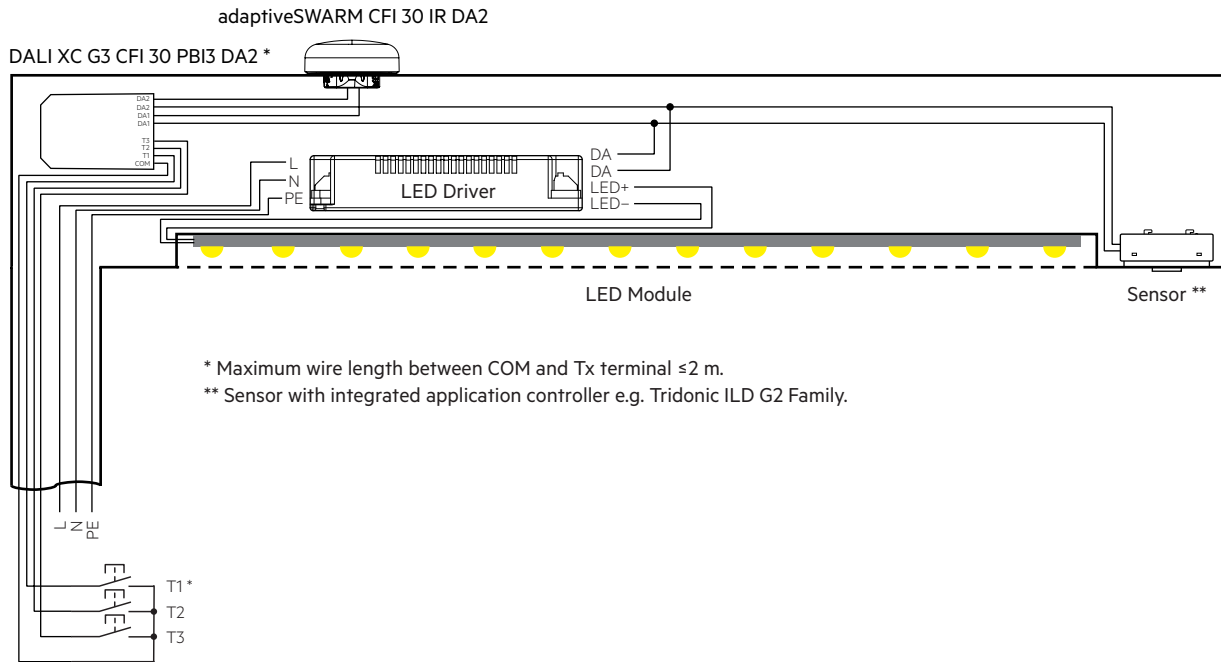
according to EN 61347-2-11 passed for temperatures up to 850°C.

### 2. Installation

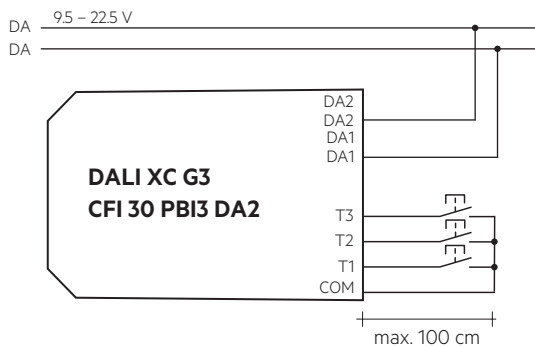
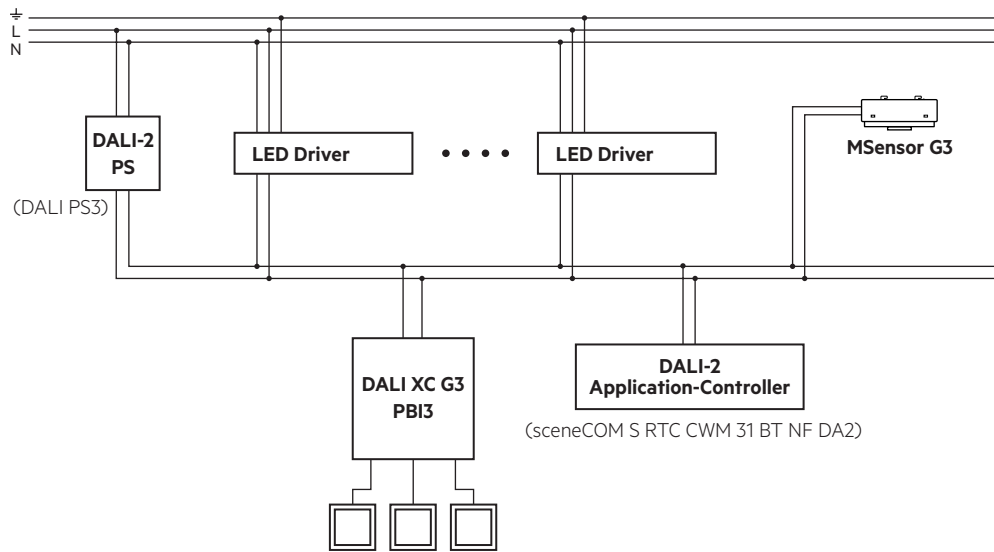
- Device must be installed inside the luminaire.
- Device must not be connected to the mains. It is supplied directly via the DALI-2 signal line.
- The momentary switches are connected directly to the device (potential free contacts) and must not be connected to the mains.
- DALI-2 signals are not SELV. Therefore the same procedures should be applied as working with mains voltage.
- Only one momentary switch each device output.
- Multiple devices can be used on the same DALI-2 network.

2.1 Connection diagrams

Example wiring inside free-standing luminaire:



Example DALI installation Wiring:

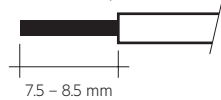


### 2.2 Wiring type and cross section

For wiring use stranded wire with ferrules or solid wire from 0.2 to 0.5 mm<sup>2</sup>.  
Maximum cable length between COM and Tx terminal is 200 cm.

wire preparation:

0.2 – 0.5 mm<sup>2</sup> / AWG 20 – 26



### 2.3 Terminals

Orange = DALI D1 and D2

Grey = Push button inputs T1 – T3

Purple = Push button common

### 2.4 Terminal and instance description

Device supports the full push button functionality according to IEC62386-301. The device has 3 button terminals.

These correspond to the 3 implemented DALI 301 instances:

Terminal	Instance nr.
T1	0
T2	1
T3	2

## 3. Miscellaneous

### 3.1 Disposal



According to the WEEE directive return old equipment at appropriate collection facilities.

### 3.2 Additional information

Additional technical information at [www.tridonic.com](http://www.tridonic.com) → Technical Data

Guarantee conditions at [www.tridonic.com](http://www.tridonic.com) → Services

Lifetime declarations are informative and represent no warranty claim.  
No warranty if device was opened.